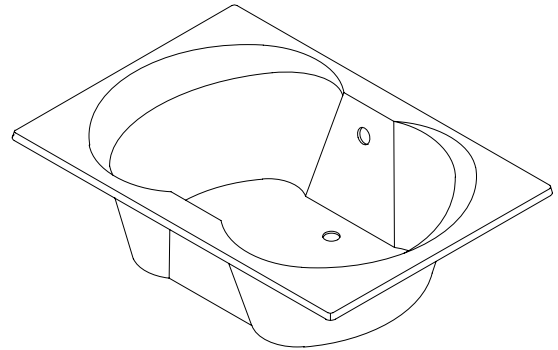


FEATURES

- 72" x 42" x 20"
- With slip resistance
- Optional K-1283 front apron



CODES/STANDARDS APPLICABLE

Specified model meets or exceeds the following:

- ANSI Z124.1
- IAPMO/UPC
- Canadian Standards Association (CSA)
- State of Massachusetts
- Dade County, Florida

COLORS/FINISHES

- 0 White
- Other Refer to Fixtures Price Book for additional colors

Accessories:

- CP Polished Chrome
- PB Polished Brass
- Other Refer to Faucets Price Book for additional finishes
- NA None Applicable

SPECIFIED MODEL:

Model	Description	Colors/Finishes		
K-1232	6' bath	<input type="checkbox"/> 0 White	<input type="checkbox"/> Other_____	
Recommended Accessories				
K-7161-AF	Drain	<input type="checkbox"/> CP	<input type="checkbox"/> PB	<input type="checkbox"/> Other_____
Optional Accessories				
K-1283	Apron (removable)	<input type="checkbox"/> 0 White	<input type="checkbox"/> Other_____	

PRODUCT SPECIFICATION:

The bath shall be 72" in length, 42" in width, and 20" in height. Bath shall be made of Vikrell. Bath shall be slip resistant. Bath shall have optional K-1283 front apron. Bath shall be Kohler Model K-1232-_____.

OVERTURE

PRODUCT INFORMATION

Fixture*:	basin area	top area	weight
Bathing well	48" x 26"	66" x 37"	65 lbs.
	water depth	capacity	
To overflow	14-1/4"	86 gals.	
* Approximate measurements for comparison only.			

INSTALLATION NOTES

If installing a rim-mount faucet, make sure there is no interference with drain overflow and circulating system before drilling any holes. Consult local and national codes for minimum air gap requirements if installing a spout on the faucet deck.

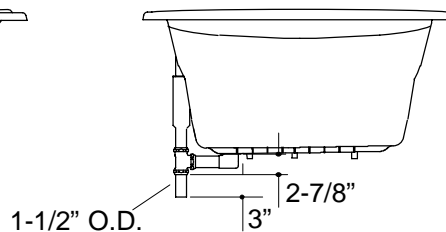
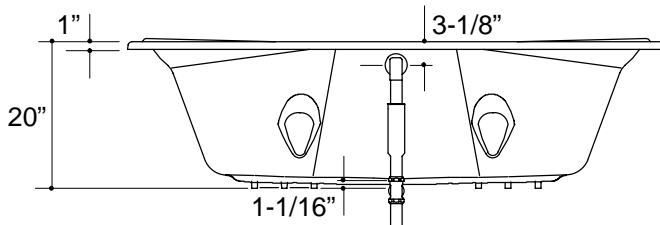
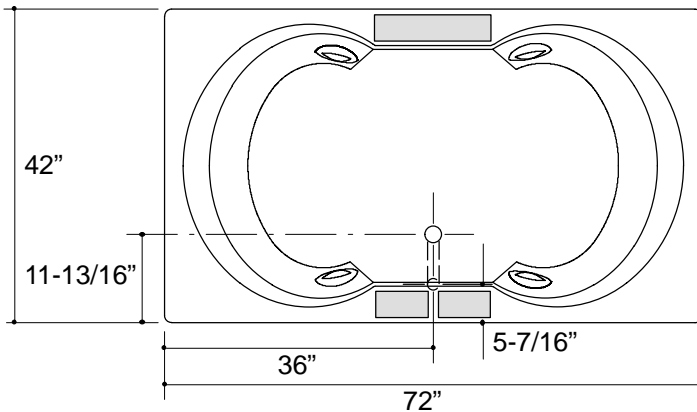
The apron must be installed before the finish floor and wall materials are installed.

NOTICE: The Overture bath is designed for bathing only. It is not designed to be used in a three wall alcove with an overhead shower.

Roughing-In Notes

No change in measurements if connected with drain illustrated.

Cut-out	70-1/2" x 40-1/2"	
Faucet area		recommended



1.25>132

PRODUCT DIAGRAM