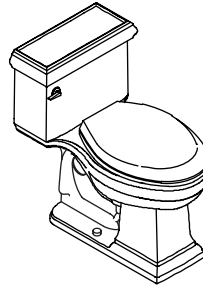


Features

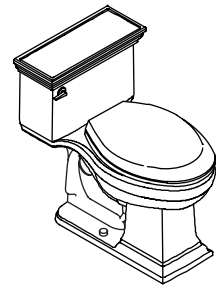
- Class 5™ flushing system
- 1.6 gpf (6 lpf) or 1.4 gpf (5.3 lpf)
- 2-1/8" (5.4 cm) glazed trapway
- Vitreous china
- 12" (30.5 cm) rough-in
- One-piece
- Less supply
- EPDM flapper
- Elongated bowl
- Includes seat, cover, and polished chrome trip lever
- With classic design (K-3451), or stately design (K-3453)
- 10-3/4" (27.3 cm) 8-1/4" (21 cm) water area

COMFORT HEIGHT™ TOILET K-3451 ALSO K-3453

ADA



K-3451
Classic Design



K-3453
Stately Design

Codes/Standards Applicable

Specified model meets or exceeds the following:

- ADA
- ASME A112.19.6
- ASME A112.19.2
- Energy Policy Act of 1992 (EPACT)
- IAPMO/UPC
- CSA B45

Colors/Finishes

- 0: White
- Other: Refer to Price Book for additional colors/finishes

Accessories:

- CP: Polished Chrome
- PB: Polished Brass
- Other: Refer to Price Book for additional colors/finishes

Specified Model

Model	Description	Colors/Finishes		
K-3451	Elongated bowl toilet, classic design	<input type="checkbox"/> 0 White	<input type="checkbox"/> Other _____	
K-3453	Elongated bowl toilet, stately design	<input type="checkbox"/> 0 White	<input type="checkbox"/> Other _____	
Recommended Accessories				
K-7637	3/8" Angle supply with stop	<input type="checkbox"/> CP	<input type="checkbox"/> PB	<input type="checkbox"/> Other _____
Optional Accessories				
K-9477	Trip lever (non-CP)	<input type="checkbox"/> PB	<input type="checkbox"/> Other _____	

Product Specification:

The elongated 1-piece toilet compact toilet shall be 12" (30.5 cm) rough-in. Toilet shall be made of vitreous china. Toilet shall have EPDM flapper. Toilet shall be 1.6 gpf (6 lpf) or 1.4 gpf (5.3 lpf), with Class 5™ flushing system. Toilet shall have 2-1/8" (5.4 cm) glazed trapway. Toilet shall include seat and cover. Toilet shall be less supply. Toilet shall be ADA compliant. Toilet shall be with classic design (K-3451) or stately design (K-3453). Toilet shall be Kohler Model K-_____-_____.

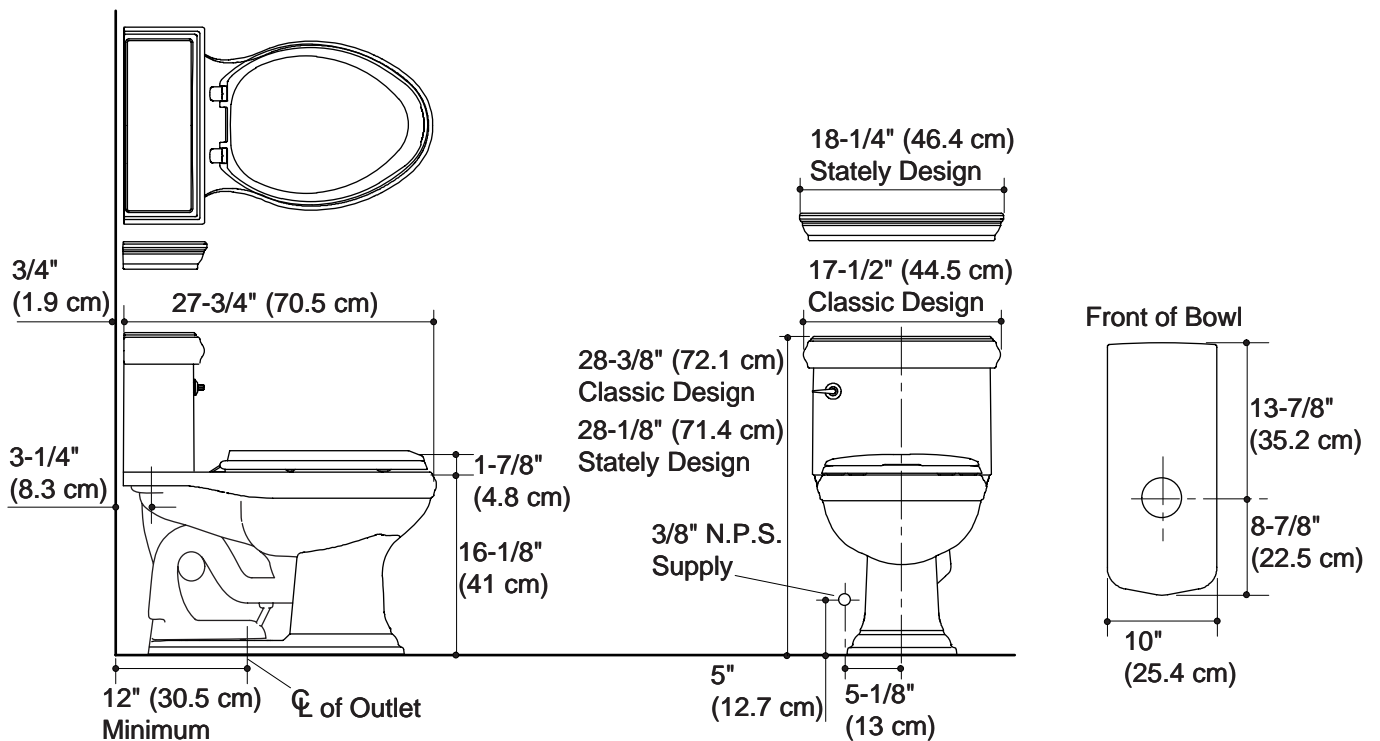
MEMOIRS®

Technical Information

ADA compliant	
Fixture:	
Configuration	1-piece, compact elongated
Water per flush	1.6 gallons (6 L) or 1.4 gallons (5.3 L)
Passageway	2-1/8" (5.4 cm)
Water area	10-3/4" (27.3 cm) x 8-1/4" (21 cm)
Water depth from rim	6" (15.2 cm)
Seat post hole centers	5-1/2" (14 cm)
Included Components:	
Seat	K-4684
Tank cover, classic design	88871
Tank cover, stately design	88872
Trip lever	K-9477
Bolt cap accessory pack	52048
Tank accessory pack	52265

Installation Notes

Install this product according to the installation guide.



Product Diagram