

### BEFORE YOU BEGIN

Carefully read these instructions before you attempt to remove your old lavatory. Before installing your new lavatory, make sure you have the proper materials necessary to complete the job. This will help you avoid costly mistakes.

Your new Kohler fixture has been designed for installation using common tools.

#### Tools required:

- PUTTY KNIFE
- ADJUSTABLE WRENCH
- SABER OR KEYHOLE SAW
- PIPE WRENCH
- TUBING CUTTER
- SCREWDRIVER
- HACKSAW
- RULER
- PENCIL
- DRILL
- 1/2" DRILL BIT
- 1-3/16" HOLE SAW
- 1-3/8" HOLE SAW (FOR WIDESPREAD FAUCETS)
- CUT-OUT TEMPLATE (FURNISHED WITH FIXTURE)

#### Materials required:

- PLUMBERS PUTTY
- NEW FAUCET (OPTIONAL)
- SHUT-OFF VALVES (OPTIONAL)
- SAFETY GLASSES

Before you remove your old fixture, unpack the new lavatory and carefully inspect it for any damage that may have occurred. Vitreous china and enameled cast iron may chip, and you do not want to discover damage after the unit has been installed. Until you are ready to begin installation, set the lavatory back in the original packing carton to prevent damage.

**Make sure you have a cut-out template to aid you in locating your faucet centerline on the countertop, and in cutting out your countertop.**

### LOCATING THE FAUCET CENTERLINE

This lavatory is a unique installation with the faucet fittings mounted on the countertop rather than on the lavatory itself.

The best location of the faucet centerline is determined by three items: the size of the fitting or faucet spout escutcheons, length of faucet spout, and clearance between the faucet spout and lavatory rim.

### FAUCET LOCATION

- 1. Refer to Fig. #1.** Determine if the faucet spout escutcheon or faucet handle escutcheon will be closer to the lavatory rim when installed. Items to consider are the sizes of the different faucet components and the lavatory shape. The escutcheon found to be closest to the lavatory rim will be used in step 2.

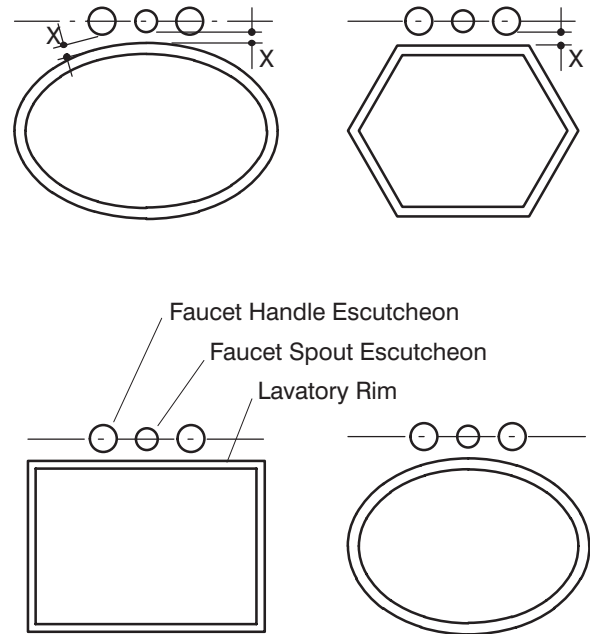


Fig. #1

- 2.** Measure the escutcheon, front-to-back, that was found to be closest to the rim in step 1. This escutcheon measurement may also be found on the faucet roughing-in page.
- 3.** Divide the front-to-back dimension in half, and add 1/4". Standard sizes are shown in the chart on the next page. The distance found will be used to draw the preliminary faucet centerline.

**NOTE:** For all front to back dimensions, round up to the nearest 1/16" if required.

FRONT TO BACK DIMENSION	DISTANCE TO DRAW CENTERLINE BEHIND REFERENCE LINE
2"	1-1/4"
2-1/8"	1-5/16"
2-1/4"	1-3/8"
2-3/8"	1-7/16"
2-1/2"	1-1/2"

## DRAW PRELIMINARY FAUCET CENTERLINE

**1.** Draw the distance determined in FAUCET LOCATION as the preliminary centerline on the cut-out template. It should be parallel and behind the cut-out template reference line (located on the cut-out template).

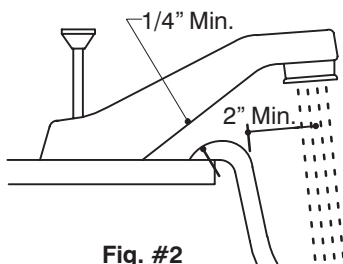
**NOTE:** On the full-size rim section found on the cut-out template, mark the preliminary faucet centerline dimension. This will be used to **DETERMINE FINAL FAUCET CENTERLINE.**

## DETERMINE FINAL FAUCET CENTERLINE

**NOTE:** If you are installing a tiled-in lavatory, proceed to Step 1B. The preliminary faucet line from **DRAW PRELIMINARY FAUCET LINE** is the final faucet line in this case.

**1.** When this preliminary faucet centerline has been drawn the spout must be checked for three items:

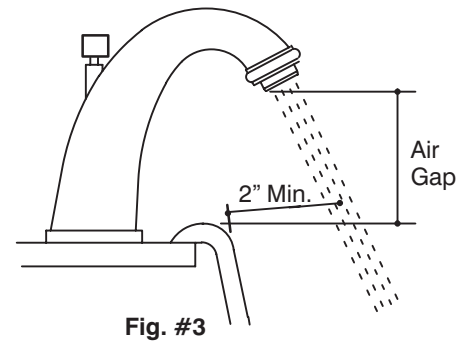
**A. Refer to Fig. #2.** For low profile faucet spouts, the distance between the faucet spout and the lavatory rim must be a minimum of 1/4". Use the faucet spout, the preliminary faucet centerline, and the full size rim section on the cut-out template to check this. If there is not 1/4" clearance, move the preliminary faucet centerline back. Recheck the clearance until you have 1/4". Measure the distance of the new faucet centerline. Redraw the new faucet centerline behind the reference line on the cut-out template. Remark this dimension on the full size rim section. This is the **final faucet centerline.**



**B. Refer to Fig. #3.** Check to be sure the water stream will project 2" minimum into the lavatory basin to allow adequate area for hand washing. Use the approximate faucet spout angle, the final faucet centerline and the full-size rim section from the cut-out tem-

plate to ensure this clearance. If this cannot be accomplished, the faucet is not optimally matched for this lavatory and may not operate on this lavatory to the owner's satisfaction. You may wish to consider an alternate faucet.

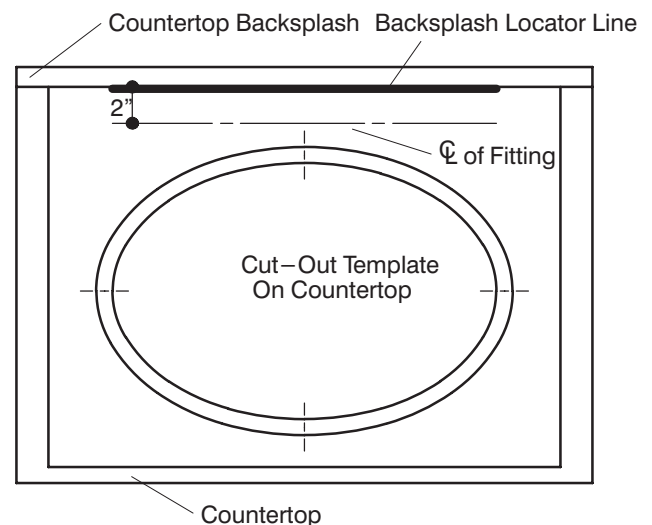
**C. Refer to Fig. #3.** Check for compliance with all state and local plumbing codes, including air gap standards.



## FAUCET CLEARANCE WITH BACKSPLASH

**NOTE:** 2-1/2" of space is required for the Kohler Bravura widespread and Cirrus Sheetflow faucet spouts.

**1. Refer to Fig. #4.** Draw a line 2" behind the final faucet centerline on the cut-out template. This is the minimum backsplash locator line. It is drawn to ensure adequate clearance behind the faucet for proper installation. It will also help position the lavatory on the countertop. Cut along this backsplash locator line. Save the section of the cut-out template with the lavatory rim and cut-out lines.



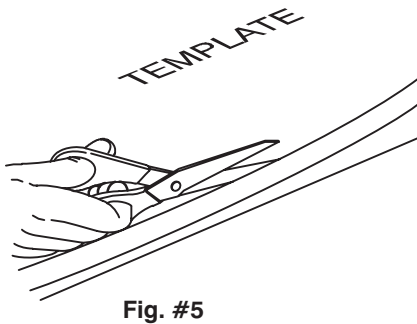
## INSTALLATION

**1.** To remove old lavatory, turn off water supplies. Turn the lavatory faucet on to drain water from the lines. Disconnect and remove water supply tubes. Disconnect drain and remove trap.

**⚠ CAUTION:** To remove steel frame lavatories, remove clips or fasteners under lavatory that hold lavatory to counter. Do not remove clips that hold frame to fixture.

**2.** Lift lavatory out of countertop with fitting and drain attached, if applicable.

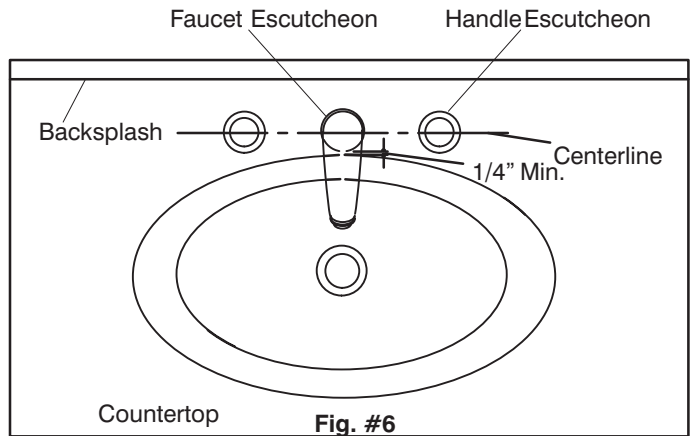
**3.** Refer to Fig. #5 . Cut out inside of cut-out template with scissors on the inside line.



**4.** Refer to Fig. #6 . Set the cut-out template on the countertop so the backsplash locator line is touching the countertop backsplash. The cut-out template can be moved forward from this position to get the best placement of the lavatory on the countertop. Trace the cut-out opening on the countertop using a soft lead pencil. Centerlines are provided to help align opening. Mark the final centerline on the countertop using the cut-out template. Drill the faucet holes using the following chart to determine their size.

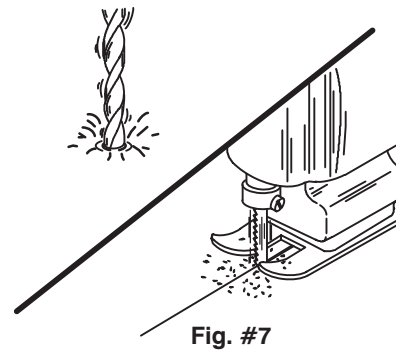
**NOTE:** If there is not enough room at the front of the counter for the lavatory rim, a larger countertop is needed.

Dimensions Are For Kohler Faucets Only. When Using Other Faucets, Contact Supplier For Installation Instructions And Dimensions.		
FAUCET CENTERS	VALVE HOLES	SPOUT HOLE
4"	1-3/16"	1-3/16"
6", 8", 12", 16"	1-3/8"	1-3/16"



**5.** Refer to Fig. #7 . Drill a pilot hole into the countertop using a 1/2" drill. Use a saber or keyhole saw to cut out opening by carefully following the pencil line traced from cut-out template. Temporarily position lavatory into counter, and trace a light pencil line around the outside edge. This will serve as a guideline for applying sealant. Remove fixture from countertop.

**NOTE:** The rim must be traced so the sealant will cover and conceal the pencil line.



**6.** Install faucet to countertop and drain to lavatory following manufacturer's instructions.

**7.** Refer to Fig. #8 . Apply two ribbons of plumbers putty or other sealant on the counter from the edge of the opening to edge of rim as measured in Step 5 according to the putty manufacturer's instructions. Quickly spread putty or sealant with a putty knife.

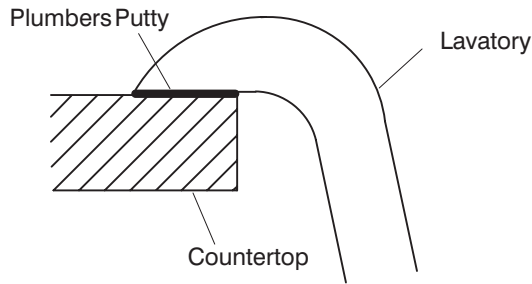


Fig. #8

**8.** Set lavatory into position. Immediately wipe away any excess putty or sealant with a damp cloth. Fill in any voids between rim and countertop.

**9.** Allow putty or sealant to set for 30 minutes. Connect supply lines at supply valves and fitting. Assemble adjustable drain pop-up linkage. Connect drain, trap, and outlet. Turn tailpiece into drain body. Align trap inlet with tailpiece. Insert trap nut and gasket onto tailpiece, and insert into trap. Tailpiece must extend 1" to 2" into trap. Tailpiece may have to be cut to fit. Turn on water and check for leaks.

**10. CLEAN UP...DO NOT USE ABRASIVE CLEANSERS** as they may scratch the surface of this fixture. Clean up with a non-abrasive cleaner. Stubborn stains, paint, or tar may be removed with turpentine or paint thinner.

## IMPORTANT CONSUMER INFORMATION

### CARE AND CLEANING

To keep your lavatory looking new, make sure you rinse it out thoroughly after each use. **DO NOT USE ABRASIVES** on this product, as they will scratch and ruin the surface. Stubborn stains, paint, or tar can be removed with turpentine or paint thinner.

### REQUESTING SERVICE

Please take a moment to familiarize yourself with the Kohler Warranty, its benefits, and limitations. Kohler Co. and its distributors support you with one of the largest Service Networks of its type. Here's what you need to do if you require service:

**FIRST:** Contact the dealer or contractor who sold and installed the product. They should be able to solve any problems you may have.

**SECOND:** If your dealer or contractor cannot solve the problem, they will contact or supply you with the name of the local Kohler Distributor and the:

 **KOHLER TECHNICAL SPECIALIST**

**THIRD:** If you are unable to obtain warranty service through either your contractor or Kohler Co. distributor, please write us directly at Kohler Co., Attn: Customer Service Department, 444 Highland Drive, Kohler, WI 53044 U.S.A.

**FOURTH:** Include all pertinent information regarding your claim, including a complete description of the product, model numbers, colors, finishes, and the date the product was installed. Include a description of the problem, and a photocopy of your invoice for the products involved. Also give us the name of the contractor and distributor.

### LIMITED ONE-YEAR WARRANTY

Kohler plumbing fixtures and fittings are warranted free of manufacturing defects.

Kohler Co. will, at its election repair, replace, or make appropriate adjustment where Kohler Co. inspection discloses any such defects occurring in normal usage within one year after installation. Kohler Co. is not responsible for installation costs.

To obtain warranty service, contact Kohler Co. either through your Dealer or Plumbing Contractor or by writing Kohler Co., Attn: Customer Service Department, 444 Highland Drive, Kohler, WI 53044 U.S.A., or by calling **1-800-4-KOHLER** from within the USA.

**Implied warranties, including that of merchantability and fitness for a particular purpose, are expressly limited in duration to the duration of this warranty. To the extent permitted by law, Kohler Co. disclaims all implied warranties including merchantability and fitness for a particular purpose. Kohler Co. disclaims any liability for special, incidental, or consequential damages.**

Some states do not allow limitations on how long an implied warranty lasts or the exclusion or limitation of incidental or consequential damages, so this limitation and exclusion may not apply to you. This warranty gives you specific legal rights. You may also have rights which vary from state to state.

This is our exclusive written warranty.

KOHLER CO., KOHLER, WISCONSIN 53044