

**Features**

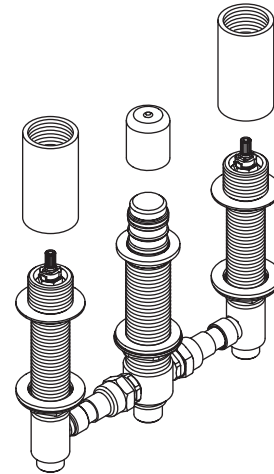
- Brass construction
- Finished deck-mount or rim-mount only
- 1/2" quarter-turn washerless ceramic disc valves
- High-flow valving
- 11 gpm (42 lpm) - 12 (45 lpm) flow at 45 psi (310 kPa)

**Codes/Standards Applicable**

Specified model meets or exceeds the following:

- ASME A112.18.1
- IAPMO/UPC
- CSA B125

**HIGH-FLOW VALVE SYSTEM  
K-438**



**Colors/Finishes**

- NA: None applicable

**Specified Model**

Model	Description	Colors/Finishes
K-438-K	1/2" valve system with diverter	<input type="checkbox"/> NA

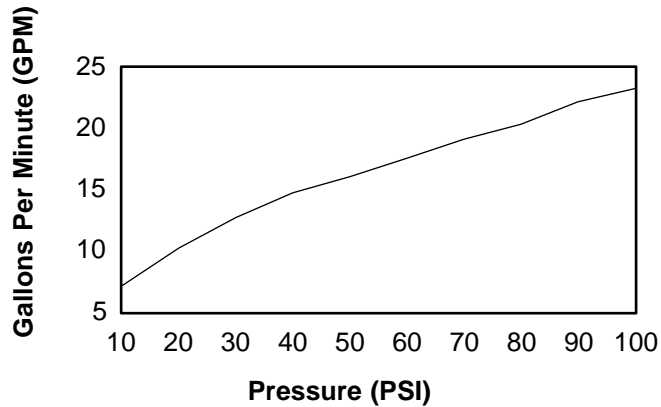
**Product Specification**

High-flow valve system shall be of brass construction. Valve system shall feature 1/2" quarter-turn washerless ceramic disc valves, assuring positive handle stop positioning. Valve system shall be for finished deck-mount or rim-mount installation only. High flow valving, 11 gpm (42 lpm) - 12 (45 lpm) at 45 psi (310 kPa). Valve system shall be Kohler Model K-438-K-NA.

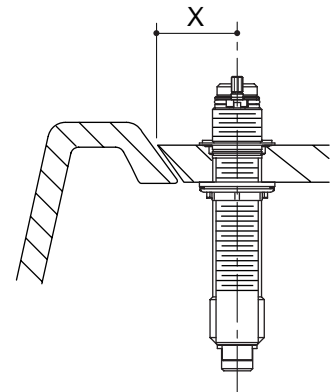
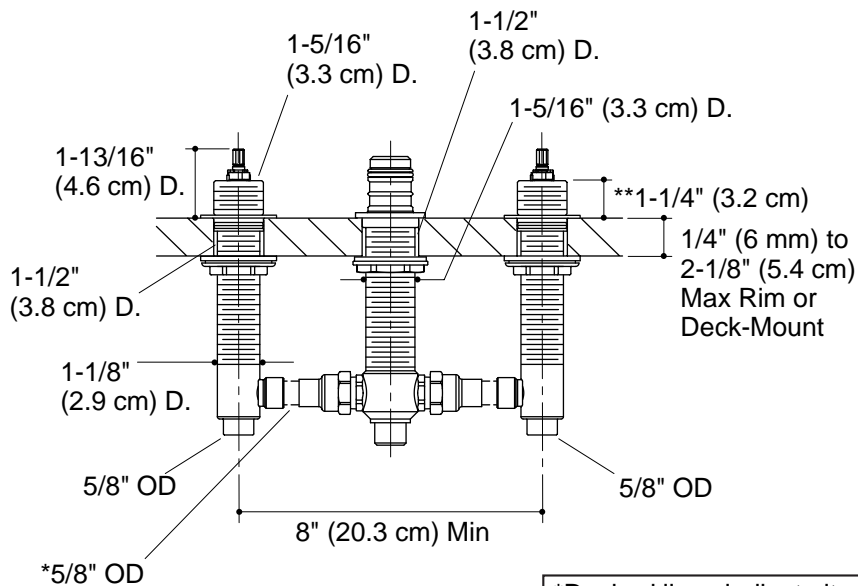
## Installation Notes

Install this product according to the installation guide.

### Performance Data



### Finish Deck Installation Only



\*Dashed lines indicate items to be supplied by installer

\*\*Dimension allows +/-1/4" (6 mm) handle adjustment during handle trim installation

X = Distance from centerline of spout inlet to front of spout base plus 1/2" (1.3 cm)

## Product Diagram