

**LAVATORY FAUCET  
K-942-4**

ADA

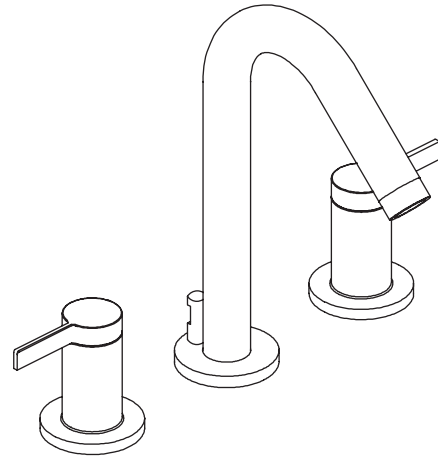
**Features**

- Brass construction
- Brass valve bodies
- Quarter-turn washerless ceramic disc valves
- 2.2 gpm (8.3 lpm) flow rate
- Lower flow aerator options are available (refer to the Kohler Price Book)
- Pop-up drain with lift rod and tailpiece
- Flexible connections for easy installation
- Lever handles
- 7-1/4" (18.4 cm) spout

**Codes/Standards Applicable**

Specified model meets or exceeds the following:

- ASME A112.18.1/CSA B125.1
- IAPMO/UPC
- NSF 61
- Energy Policy Act of 1992 (EPACT)
- ADA



**Colors/Finishes**

- CP: Polished Chrome
- Other: Refer to Price Book for additional colors/finishes

**Specified Model**

Model	Description	Colors/Finishes	
K-942-4	Lavatory faucet with lever handles	<input type="checkbox"/> CP	<input type="checkbox"/> Other _____

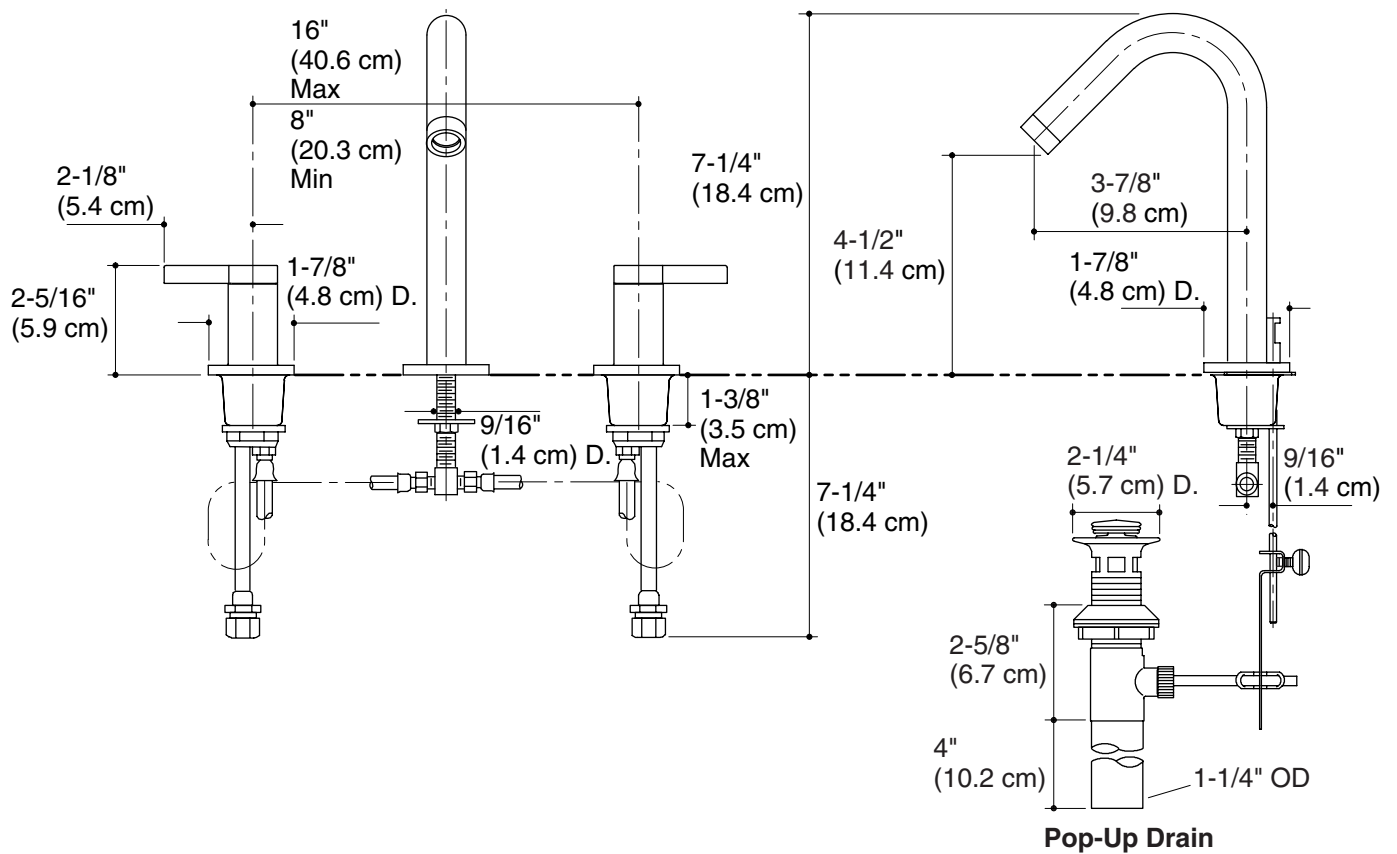
**Product Specification**

Two-handle widespread lavatory faucet shall be of brass construction. Faucet shall feature brass valve bodies. Faucet shall feature quarter-turn washerless ceramic disc valves, assuring positive handle stop positioning. Faucet shall be rated at 2.2 gallons (8.3 L) per minute. Faucet shall have lower flow aerator options. Faucet shall include flexible connections, 7-1/4" (18.4 cm) spout, pop-up drain with lift rod and tailpiece, and lever handles. Faucet shall be Kohler Model K-942-4-\_\_\_\_\_.

# STILLNESS®

## Installation Notes

Install this product according to the installation guide.



## Product Diagram