

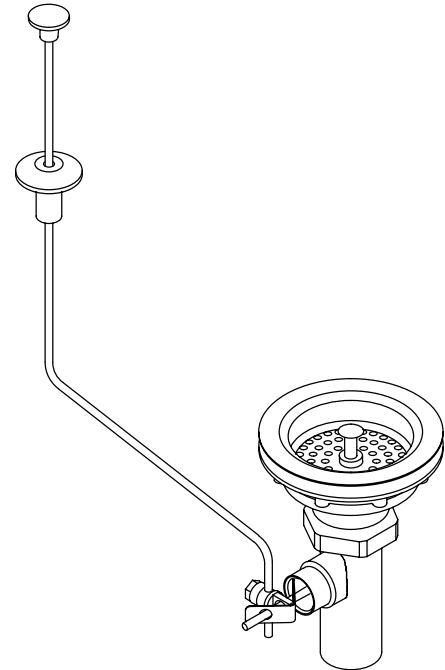
**FEATURES**

- Brass construction
- Intended for sink installations with 3-1/2" or 4" outlet
- Basket strainer with open/close stopper
- Brass tailpiece with connection to lift rod components
- 1-1/2" connection

**CODES/STANDARDS APPLICABLE**

Specified model meets or exceeds the following:

- ASME/ANSI A112.18.1M
- CSA B125
- IAPMO/UPC



**COLORS/FINISHES**

- CP Polished Chrome

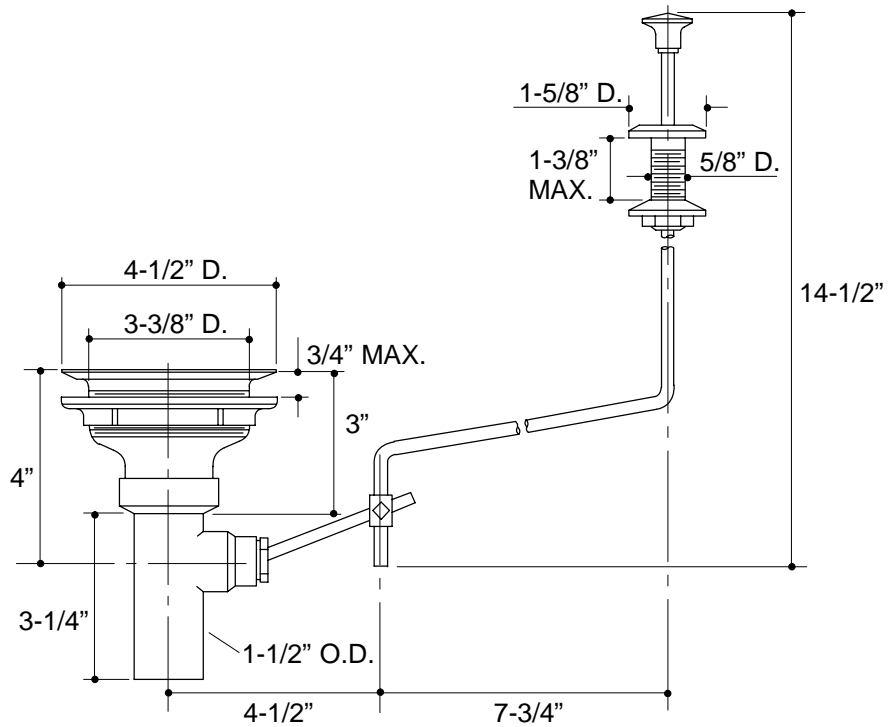
**SPECIFIED MODEL:**

Model	Description	
K-8802-RL	Duostrainer Sink Strainer	<input type="checkbox"/> CP

**PRODUCT SPECIFICATION:**

Duostrainer sink strainer shall be of brass construction. Product is intended for sink installations with 3-1/2" or 4" outlet. Product shall include a basket strainer with an open/close stopper, brass tailpiece with connection to the lift rod components, and 1-1/2" connection. Strainer shall be Kohler Model K-8802-RL-CP.

# DUOSTRAINER®



14

## PRODUCT DIAGRAM