

Features

- Brass construction
- Brass valve bodies
- Valvet® valves
- 2.2 gpm (8.3 lpm) flow rate
- Lower flow aerator options are available (refer to the Kohler Price Book)
- Single-hole mounting
- Available with cold right- or left-hand handle
- 5-3/16" (13.2 cm) gooseneck spout

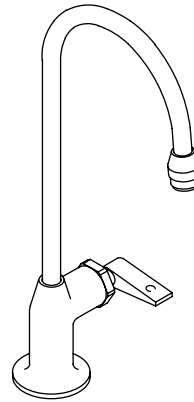
**PANTRY FAUCET
K-7895
ALSO K-7898**

ADA

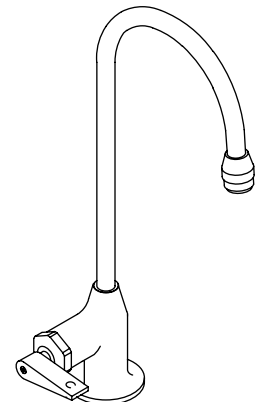
Codes/Standards Applicable

Specified model meets or exceeds the following:

- ASME A112.18.1/CSA B125.1
- IAPMO/UPC
- NSF 61
- Energy Policy Act of 1992 (EPACT)
- ADA
- CSA B125 (K-7895)



K-7895-C



K-7898-C

Colors/Finishes

- CP: Polished Chrome

Specified Model

Model	Description	Colors/Finishes
K-7895-C	Right-hand faucet, cold	<input type="checkbox"/> CP
K-7898-C	Left-hand faucet, cold	<input type="checkbox"/> CP

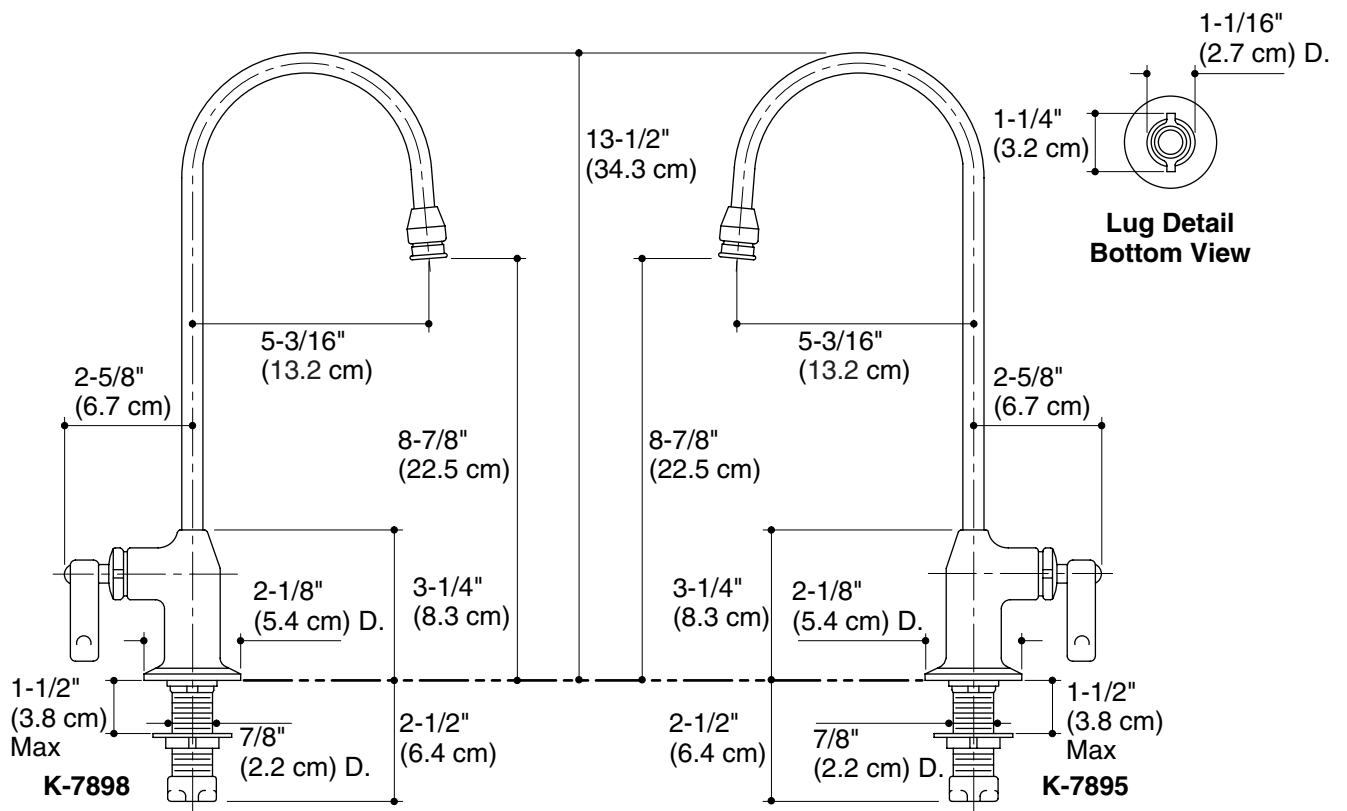
Product Specification

Single-handle, single-hole pantry faucet shall be of brass construction with brass valve bodies. Faucet shall also feature a Valvet valve. Faucet shall include 5-3/16" (13.2 cm) gooseneck spout and lever handle. Optional features shall be cold right- or left-hand handles. Faucet shall be rated at 2.2 gallons (8.3 L) per minute. Faucet shall have lower flow aerator options. Faucet shall be Kohler Model K-_____-CP.

BARDNEY™

Installation Notes

Install this product according to the installation guide.



Product Diagram