

**DOUBLE PANTRY FAUCET
K-7894**

ADA

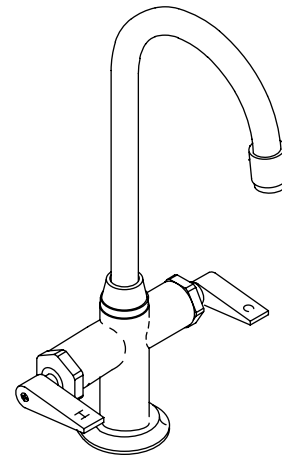
Features

- Brass construction
- Brass valve bodies
- Single-hole mounting
- (2) Quarter-turn washerless ceramic disc valves
- 2.2 gpm (8.3 lpm) flow rate
- Lower flow aerator options are available (refer to the Kohler Price Book)
- Lever handles
- 5-1/2" (14 cm) gooseneck swing spout

Codes/Standards Applicable

Specified model meets or exceeds the following:

- ASME A112.18.1/CSA B125.1
- IAPMO/UPC
- NSF 61
- Energy Policy Act of 1992 (EPACT)
- ADA



Colors/Finishes

- CP: Polished Chrome

Specified Model

Model	Description	Colors/Finishes
K-7894	Double pantry faucet	<input type="checkbox"/> CP

Optional Accessories	
K-14511	Escutcheon plate for 3-hole mounting, 10" (25.4 cm)
K-14531	Escutcheon plate for 3-hole mounting, 6" (15.2 cm)

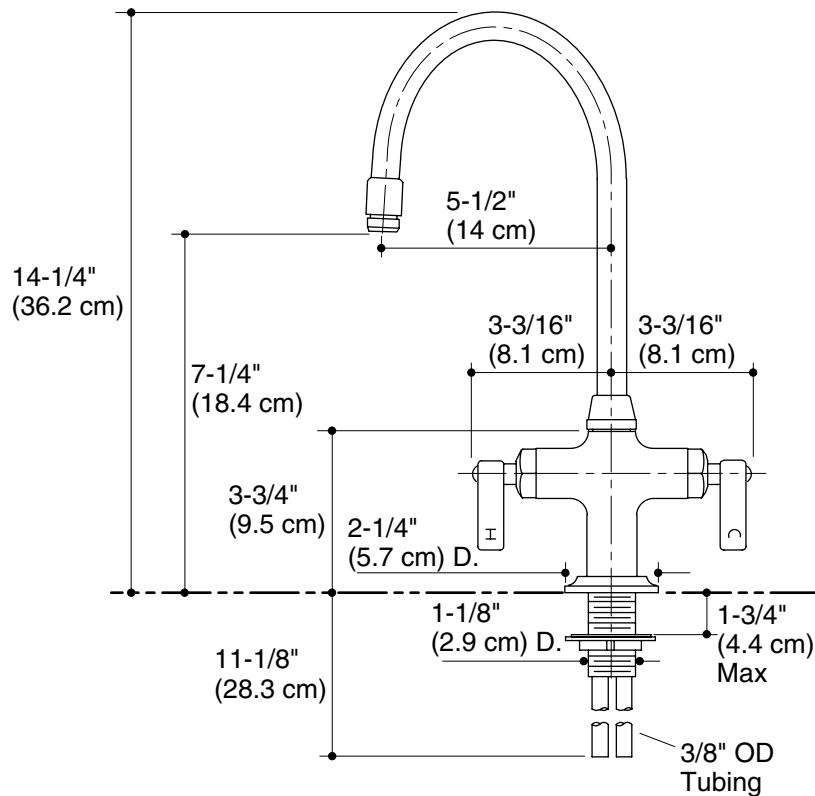
Product Specification

Two-handle double pantry faucet shall be of brass construction. Faucet shall feature brass valve bodies. Faucet shall feature quarter-turn washerless ceramic disc valves, assuring positive handle stop positioning. Faucet shall include single-hole mounting, 5-1/2" (14 cm) gooseneck swing spout, and lever handles. Faucet shall be rated at 2.2 gallons (8.3 L) per minute. Faucet shall have lower flow aerator options. Faucet shall be Kohler Model K-7894-CP.

BLAGDON™

Installation Notes

Install this product according to the installation guide.



Product Diagram