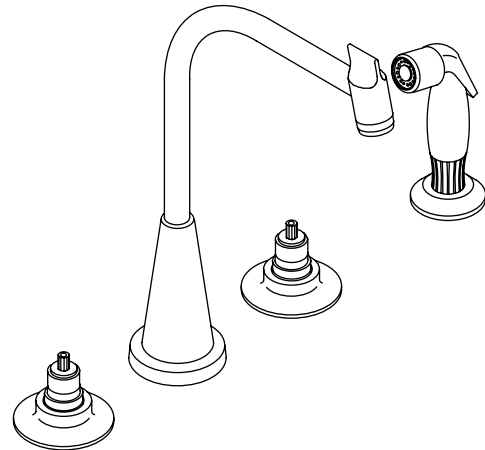


**KITCHEN SINK BASE FAUCET
K-7779-K**

Features

- Brass construction
- Brass valve body
- Quarter-turn washerless ceramic disc valves
- 2.2 gpm (8.3 lpm) flow rate
- Lower flow aerator options are available (refer to the Kohler Price Book)
- Rotating aerator
- Flexible connections for easy installation
- Black handspray
- Variety of handle style options
- 8" (20.3 cm) multi-swivel swing spout



Codes/Standards Applicable





Specified model meets or exceeds the following:

- IAPMO/UPC
- NSF 61
- Energy Policy Act of 1992 (EPACT)
- ASME A112.18.1/CSA B125.1
- ADA

Colors/Finishes

- CP: Polished Chrome

Specified Model

Model	Description	Colors/Finishes			
K-7779-K	Kitchen sink base faucet	<input type="checkbox"/> CP			
Required Accessories (Includes Two Handles)					
K-16012-2	Standard handles	<input type="checkbox"/> CP			
K-16012-3	Cross handles			<input type="checkbox"/> CP	
K-16012-4	Lever handles				<input type="checkbox"/> CP
K-16012-5	Wristblade lever handles				
					<input type="checkbox"/> CP

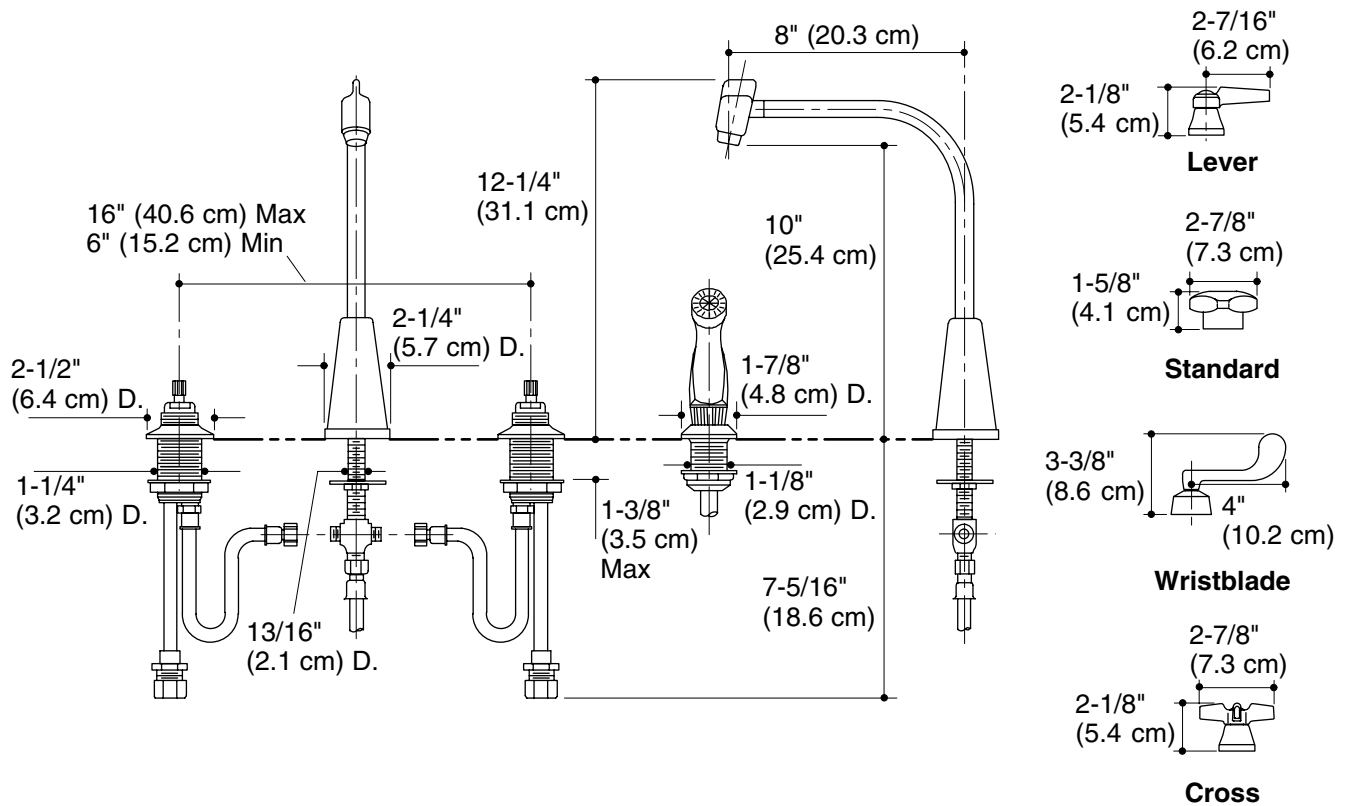
Product Specification

Two-handle kitchen sink base faucet shall be of brass construction. Faucet shall feature brass valve bodies. Faucet shall feature quarter-turn washerless ceramic disc valves, assuring positive handle stop positioning. Faucet shall be rated at 2.2 gallons (8.3 L) per minute. Faucet shall have lower flow aerator options. Faucet shall include flexible connections, 8" (20.3 cm), multi-swivel swing spout, rotating aerator, a variety of handle style options, and black handspray. Base faucet shall be Kohler Model K-7779-K-CP and handles shall be Kohler Model K-16012-_____-CP.

TRITON®

Installation Notes

Install this product according to the installation guide.



Product Diagram