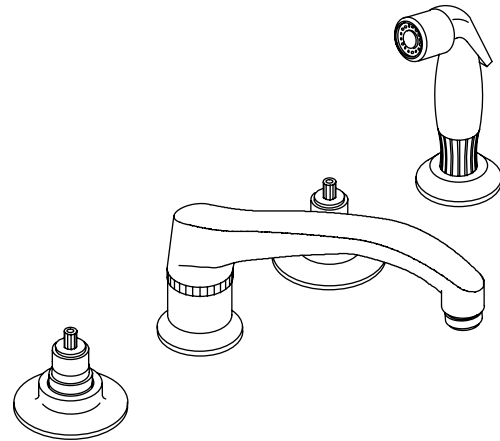


**KITCHEN SINK BASE FAUCET
K-7765-K
ALSO K-7761-K**

Features

- Brass construction
- Brass valve bodies
- Quarter-turn washerless ceramic disc valves
- 2.2 gpm (8.3 lpm) flow rate
- Lower flow aerator options are available (refer to the Kohler Price Book)
- Variety of handle style options
- Available with or without handspray
- For 8" (20.3 cm) centers
- 8-1/8" (20.6 cm) swing spout



Codes/Standards Applicable





Specified model meets or exceeds the following:

- ASME A112.18.1/CSA B125.1
- IAPMO/UPC
- Energy Policy Act of 1992 (EPACT)
- NSF 61
- ADA

Colors/Finishes

- CP: Polished Chrome

Specified Model

Model	Description	Colors/Finishes			
K-7765-K	Kitchen sink faucet with handspray	<input type="checkbox"/> CP			
K-7761-K	Kitchen sink faucet without handspray	<input type="checkbox"/> CP			
Required Accessories (Includes Two Handles)					
K-16012-2	Standard handles	<input type="checkbox"/> CP			
K-16012-3	Cross handles		<input type="checkbox"/> CP		
K-16012-4	Lever handles			<input type="checkbox"/> CP	
K-16012-5	Wristblade lever handles				<input type="checkbox"/> CP

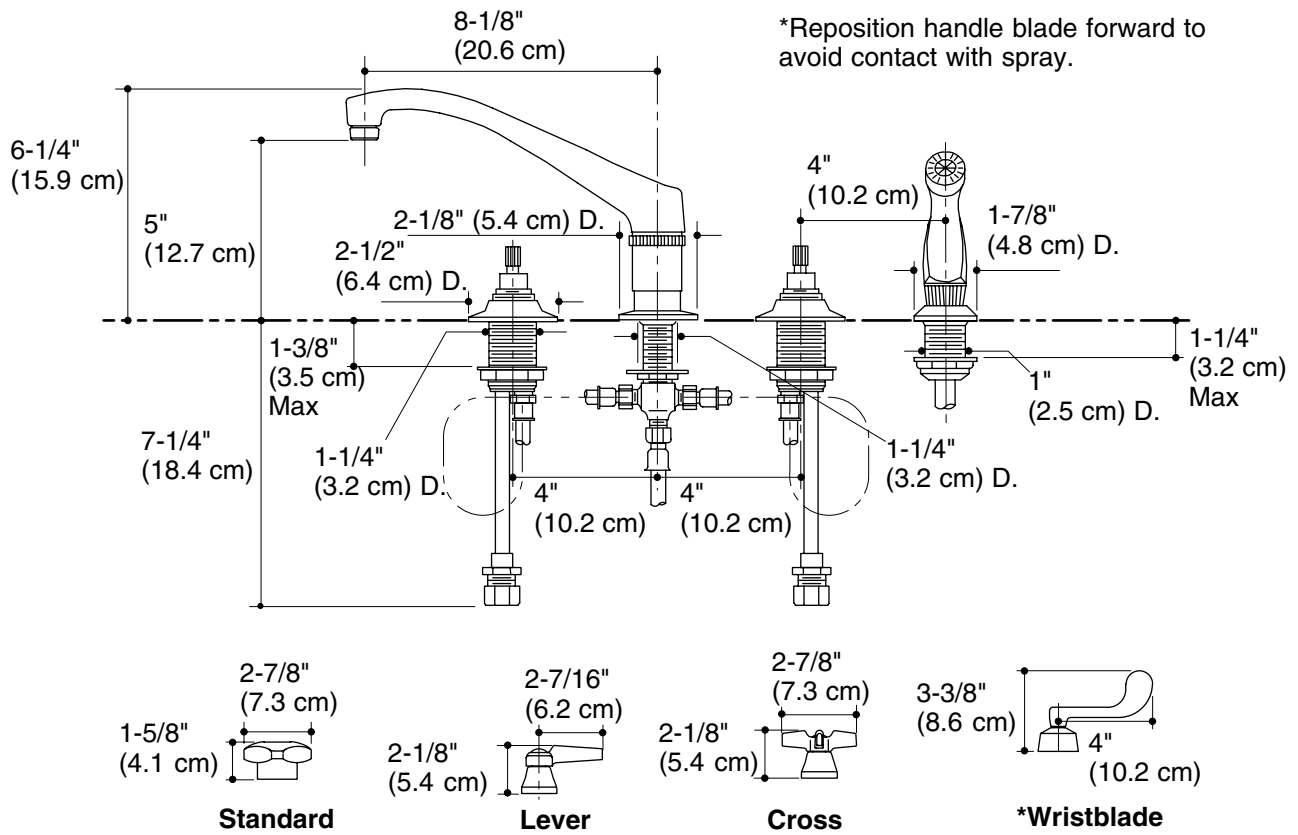
Product Specification

Two-handle kitchen sink base faucet shall be of brass construction. Faucet shall feature brass valve bodies. Faucet shall feature quarter-turn washerless ceramic disc valves, assuring positive handle stop positioning. Faucet shall be rated at 2.2 gallons (8.3 L) per minute. Faucet shall have lower flow aerator options. Faucet shall include 8" (20.3 cm) centers and an 8-1/8" (20.6 cm) swing spout. Faucet shall be available with a variety of handle style options and an optional white handspray. Faucet shall be Kohler Model K-_____-K-CP and handles shall be Kohler Model K-16012-_____-CP.

TRITON®

Installation Notes

Install this product according to the installation guide.



Product Diagram