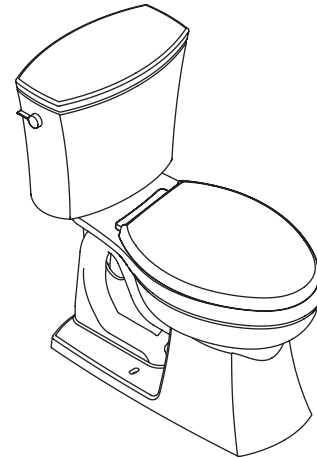


Features

- Vitreous china
- 12" (30.5 cm) rough-in
- Class Five™ flushing system
- 2-1/8" (5.4 cm) glazed trapway
- Elongated bowl
- Combination toilet
- Less supply
- 16-1/2" (41.9 cm) high bowl is ADA compliant when an open-front toilet seat is installed
- 1.6 gpf (6 lpf)
- 11" (27.9 cm) x 8-3/4" (22.2 cm) water area
- 30" (76.2 cm) x 16-3/4" (42.5 cm) x 30-1/2" (77.5 cm)

COMPLETE SOLUTION COMFORT HEIGHT™ TOILET K-11452

ADA



Codes/Standards Applicable

Specified model meets or exceeds the following:

- ADA
- ASME A112.19.2
- CSA B45.0
- CSA B45.1
- IAPMO/cUPC
- Energy Policy Act of 1992

Colors/Finishes

- 0: White
- Other: Refer to Price Book for additional colors/finishes

Accessories

- CP: Polished Chrome
- PB: Vibrant® Polished Brass
- Other: Refer to Price Book for additional colors/finishes

Specified Model

Model	Description	Colors/Finishes		
K-11452	Complete Solution Comfort Height™ toilet	<input type="checkbox"/> 0	<input type="checkbox"/> Other_____	
Recommended Accessories				
K-7637	Angle supply with stop – 3/8" NPT	<input type="checkbox"/> CP	<input type="checkbox"/> PB	<input type="checkbox"/> Other_____
Optional Accessories				
K-9385	Left-hand trip lever (non-CP)	<input type="checkbox"/> PB	<input type="checkbox"/> Other_____	
K-4650	Lustra™ elongated toilet seat - for ADA compliance	<input type="checkbox"/> 0	<input type="checkbox"/> Other_____	

Product Specification

The elongated combination toilet shall be made of vitreous china. The toilet shall be 30" (76.2 cm) in length, 16-3/4" (42.5 cm) in width, and 30-1/2" (77.5 cm) in height. The toilet shall have 11" (27.9 cm) x 8-3/4" (22.2 cm) water area. The toilet shall be 1.6 gpf (6 lpf) with Class Five™ flushing system. The toilet shall have 2-1/8" (5.4 cm) glazed trapway, and 12" (30.5 cm) rough-in. The toilet shall have a 16-1/2" (41.9 cm) high bowl, which is ADA compliant when an open-front elongated seat is installed. The toilet shall be less supply. The toilet shall be Kohler Model K-_____-_____.

KELSTON™

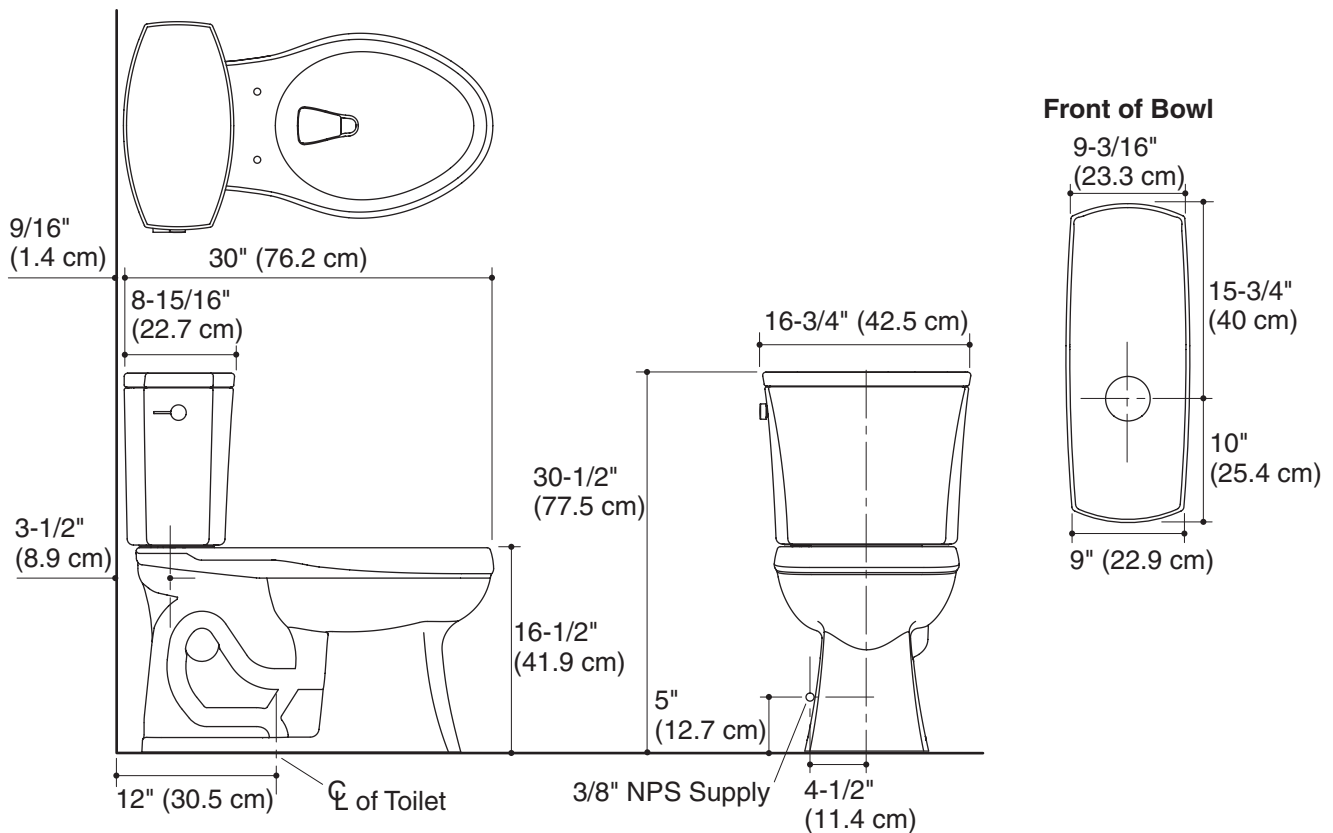
Technical Information

Fixture:	
Configuration	two-piece, elongated
Water per flush	1.6 gal (6 L)
Passageway	2-1/8" (5.4 cm)
Water area	11" (27.9 cm) x 8-3/4" (22.2 cm)
Water depth from rim	6" (15.2 cm)
Seat post hole centers	5-1/2" (14 cm)

Included components:	
Tank	F4474-CS
Bowl	F4306
Tank cover	1070414
Trip lever, left-hand	1075348
Bolt cap accessory pack	1013092
Tank accessory pack	1016548
Wax ring kit	1023457
Cachet seat	K-4688

Installation Notes

Install this product according to the installation guide.



Product Diagram

KELSTON™ COMPLETE SOLUTION COMFORT HEIGHT™ TOILET

Page 2 of 2
1075349-4-C

THE BOLD LOOK
OF **KOHLER**®