

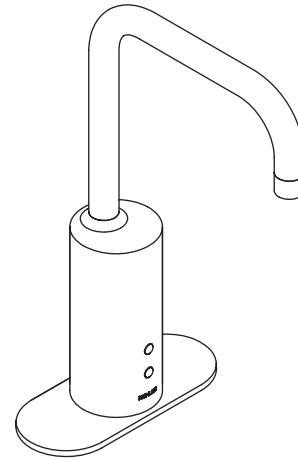
Features

- Brass construction
- Vandal-resistant mixing handle or plug button
- Vandal-resistant aerator
- Electronic infrared sensor with TriPoint™ technology for accurate activation
- Sensor shield included for easy cleaning
- 6" (15.2 cm) spout
- 22" (55.9 cm) flexible supply hoses for easy installation
- Above-counter valve allows for easy installation and maintenance
- Alternate aerator options available (refer to the Kohler Price Book)
- DC models feature an above-counter battery allowing easy changeability
- 0.5 gallons (1.9 L) per minute flow rate
- 6 V lithium-ion battery for DC power supply or 120 V, 60 Hz, 15 W for AC power supply

**ELECTRONIC FAUCET
K-10952**

ALSO K-10953, K-10954, K-10955

ADA



Codes/Standards Applicable

Specified model meets or exceeds the following:

- ASME A112.18.1/CSA B125.1
- Energy Policy Act of 1992
- IAPMO/UPC
- ADA
- CSA International
- Underwriter's Laboratories (UL) (AC Model)

Colors/Finishes

- CP: Polished Chrome
- G: Brushed Chrome
- NA: None applicable

Specified Model:

Model	Description	Colors/Finishes	
K-10952-4	DC manual water adjustment, above-counter battery changeability, single-hole mount	<input type="checkbox"/> CP	<input type="checkbox"/> G
K-10953-4	AC manual water adjustment, single-hole mount	<input type="checkbox"/> CP	<input type="checkbox"/> G
K-10954-4	DC manual water adjustment, above-deck battery changeability, three-hole mount with 4" (10.2 cm) escutcheon	<input type="checkbox"/> CP	<input type="checkbox"/> G
K-10955-4	AC manual water adjustment, three-hole mount with 4" (10.2 cm) escutcheon	<input type="checkbox"/> CP	<input type="checkbox"/> G
K-10982	Plug-in adapter (required for AC)	<input type="checkbox"/> NA	

Product Specification

Electronic faucet shall be of brass construction. The faucet shall feature an electronic infrared sensor with Tripoint technology and requires a plug-in power supply. The faucet shall have a flow rate of 0.5 gpm (1.9 lpm). The faucet shall have alternate flow aerator options. The faucet shall feature vandal-resistant mixing handle or plug button. The faucet shall include 6" (15.2 cm) spout, vandal-resistant aerator, sensor shield for easy cleaning, and 22" (55.9 cm) flexible supply hoses. The faucet shall have above-counter battery and valve for easy installation and maintenance. The faucet shall use a 6 V lithium-ion battery for DC power supply or 120 V, 60 Hz, 15 W for AC power supply. The faucet shall be Kohler Model K-____-____-____ and plug-in power supply shall be Kohler Model K-10982-NA.

Installation Notes

Install this product according to the installation guide.

One-stud configuration - 1-1/16" (2.7 cm) D. Min to 1-1/4" (3.2 cm) D. Max mounting hole.

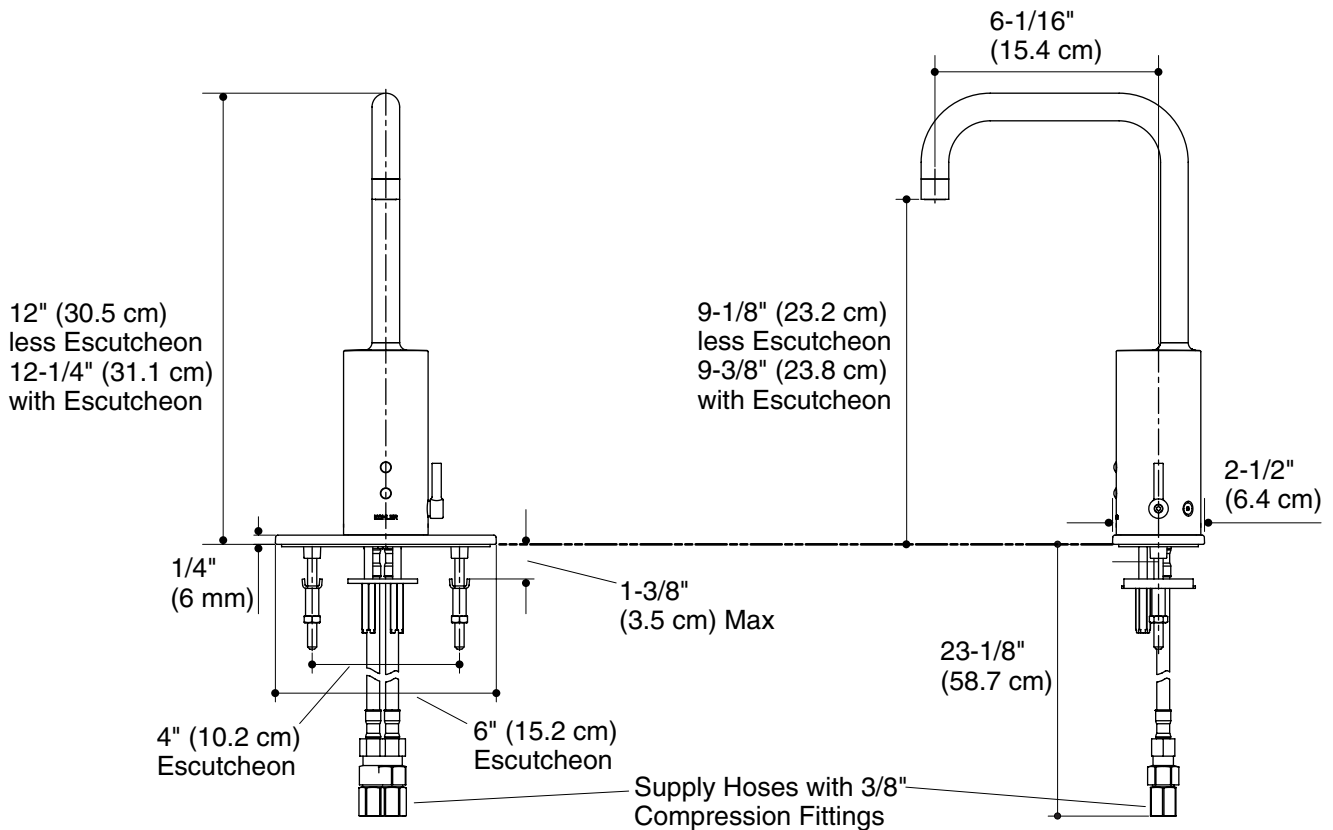
Two-stud configuration - 1-1/4" (3.2 cm) D. Min to 2-1/2" (6.4 cm) D. Max mounting hole.

Allow 1-3/4" (4.4 cm) clearance between back of the spout and wall for setscrew access.

The distance from lavatory basin edge to base of the spout should be 1-1/8" (2.9 cm) Max.

The lip basin height should be 1" (2.5 cm) Max.

Product uses a 6 V lithium-ion battery for the DC version or 120 V, 60 Hz, 15 W for the AC version.



Product Diagram