

KOHLER®

Roughing-In

K-10952, K-10953, K-10954, K-10955
ELECTRONIC FAUCET

Product Information

Applicable electronic faucet, DC	
Faucet	K-10952-4
Faucet with 4" (10.2) escutcheon	K-10954-4
Applicable electronic faucet, AC	
Faucet	K-10953-4
Faucet with 4" (10.2) escutcheon	K-10955-4
Plug-In Adapter required for AC	K-10982
Products are ADA compliant.	ADA

Installation Notes

Install this product according to the installation guide.

Alternate flow aerator options are available - please refer to the Kohler price book.

One-stud configuration - 1-1/16" (2.7 cm) D. Min to 1-1/4" (3.2 cm) D. Max mounting hole.

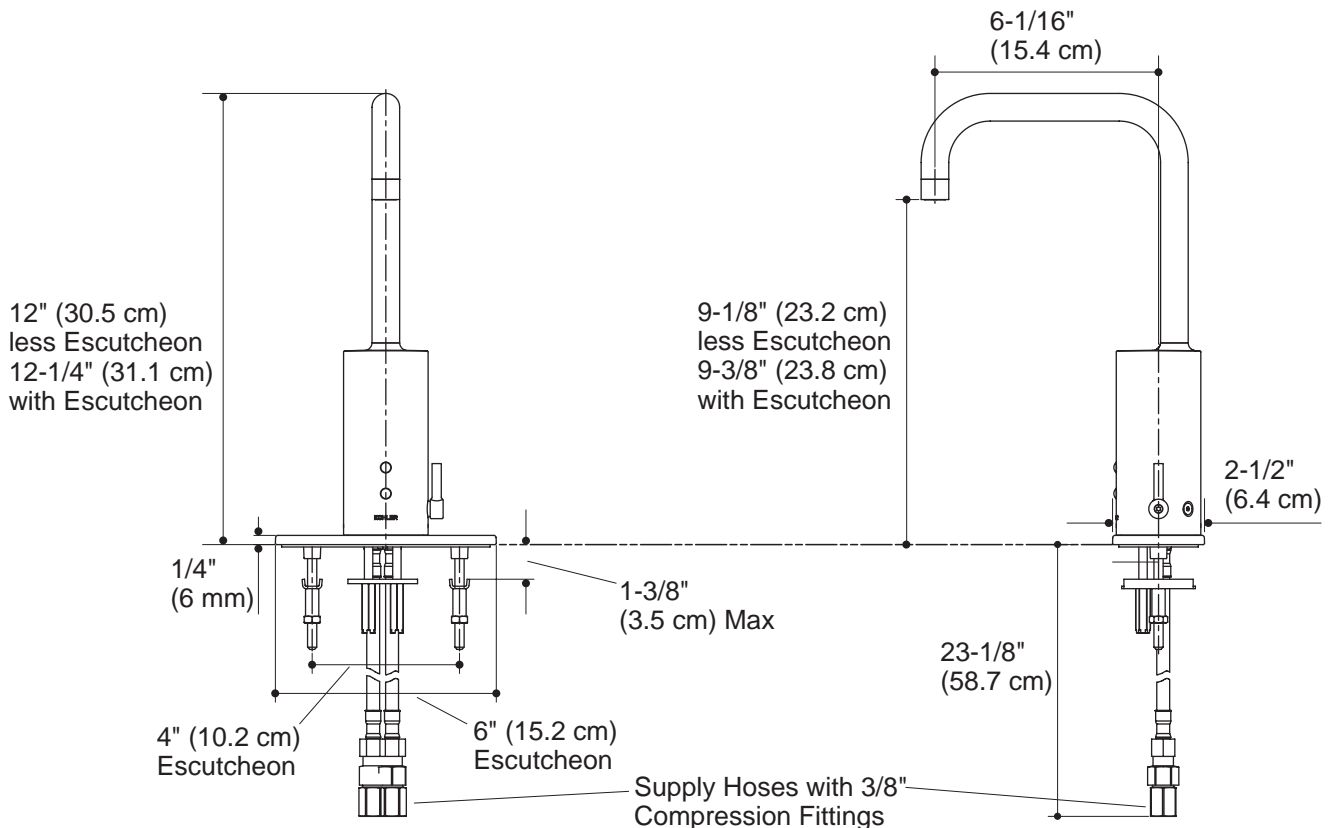
Two-stud configuration - 1-1/4" (3.2 cm) D. Min to 2-1/2" (6.4 cm) D. Max mounting hole.

Allow 1-3/4" (4.4 cm) clearance between back of the spout and wall for setscrew access.

The distance from lavatory basin edge to base of the spout should be 1-1/8" (2.9 cm) Max.

The lip basin height should be 1" (2.5 cm) Max.

Product uses a 6 V lithium-ion battery for the DC version or 120 V, 60 Hz, 15 W for the AC version.



ELECTRONIC FAUCET
1046362-1-B

KOHLER®