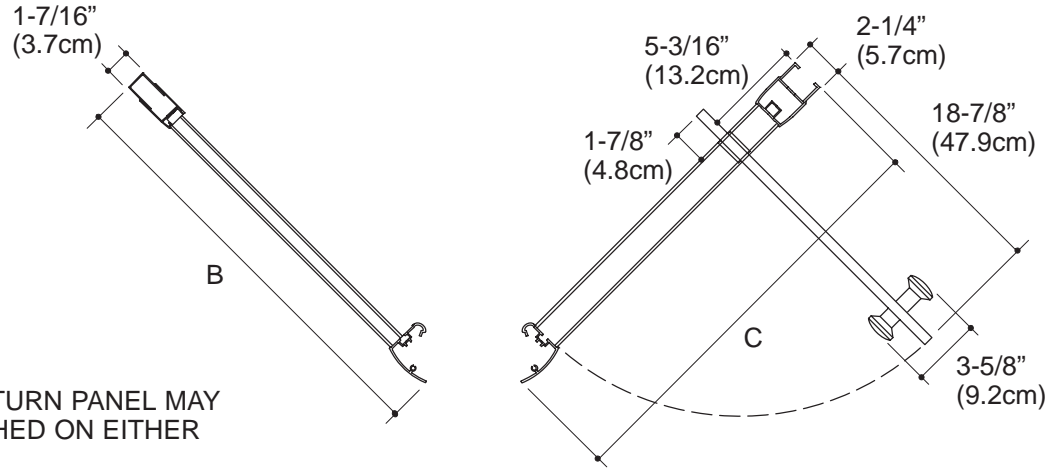


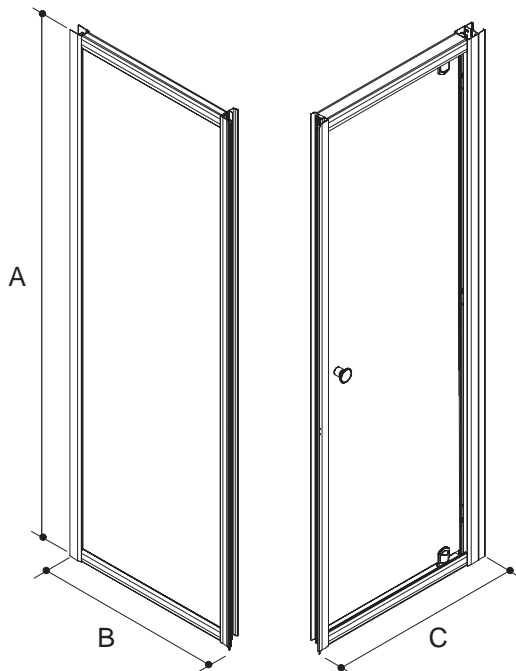
### Installation Notes

Refer to installation instructions included with fixture before beginning installation.



NOTE: RETURN PANEL MAY BE ATTACHED ON EITHER SIDE.

PLAN VIEW



Rough-In Notes	A	B	C
K-441	76" (193.cm)	28" (71.1cm)	27-9/16" (70.cm)