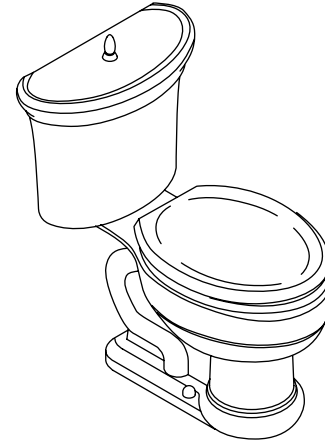


ELONGATED TOILET K-3456

Features

- Vitreous china
- 12" (30.5 cm) rough-in
- Elongated bowl
- Combination toilet
- Less supply
- 2" (5.1 cm) glazed trapway
- With Insuliner® insulated tank lining
- 1.6 gpf (6 lpf)
- Rim Jet flushing technology
- Includes solid maple seat in Black Forest wood finish with polished chrome hinges
- Includes satin/polished chrome flush actuator
- 10-1/4" (26 cm) x 9-1/8" (23.2 cm) water area
- 29-5/8" (75.2 cm) x 20-1/8" (51.1 cm) x 33-3/4" (85.7 cm)



Codes/Standards Applicable

Specified model meets or exceeds the following:

- ASME A112.19.2
- Energy Policy Act of 1992
- IAPMO/UPC

Colors/Finishes

- 0: White
- Other: Refer to Price Book for additional colors/finishes

Accessories:

- CP: Polished Chrome
- PB: Vibrant® Polished Brass
- Other: Refer to Price Book for additional colors/finishes

Specified Model

Model	Description	Colors/Finishes	
K-3456-F2	Elongated bowl toilet	<input type="checkbox"/> 0	<input type="checkbox"/> Other_____
K-3456-U2	Elongated bowl toilet with Insuliner	<input type="checkbox"/> 0	<input type="checkbox"/> Other_____

Recommended Accessories			
K-7637	Angle supply with stop – 3/8" NPT	<input type="checkbox"/> CP	<input type="checkbox"/> PB <input type="checkbox"/> Other_____

Product Specification

The elongated toilet combination shall be made of vitreous china. The toilet shall be 29-5/8" (75.2 cm) in length, 20-1/8" (51.1 cm) in width, and 33-3/4" (85.7 cm) in height with a 10-1/4" (26 cm) x 9-1/8" (23.2 cm) water area. Toilet shall be for a 12" rough-in. Toilet shall feature a 2" (5.1 cm) glazed trapway, solid maple seat in Black Forest wood finish with polished chrome hinges, and satin/polished chrome flush actuator. Toilet shall be 1.6 gpf (6 L) per flush with Rim Jet flushing technology, which provides a quiet flush. The toilet shall be available with an Insuliner insulated tank lining (-U). The toilet shall be less supply. The toilet shall be Kohler Model K-3456-____-_____.

IRON WORKS® TELLIEUR®

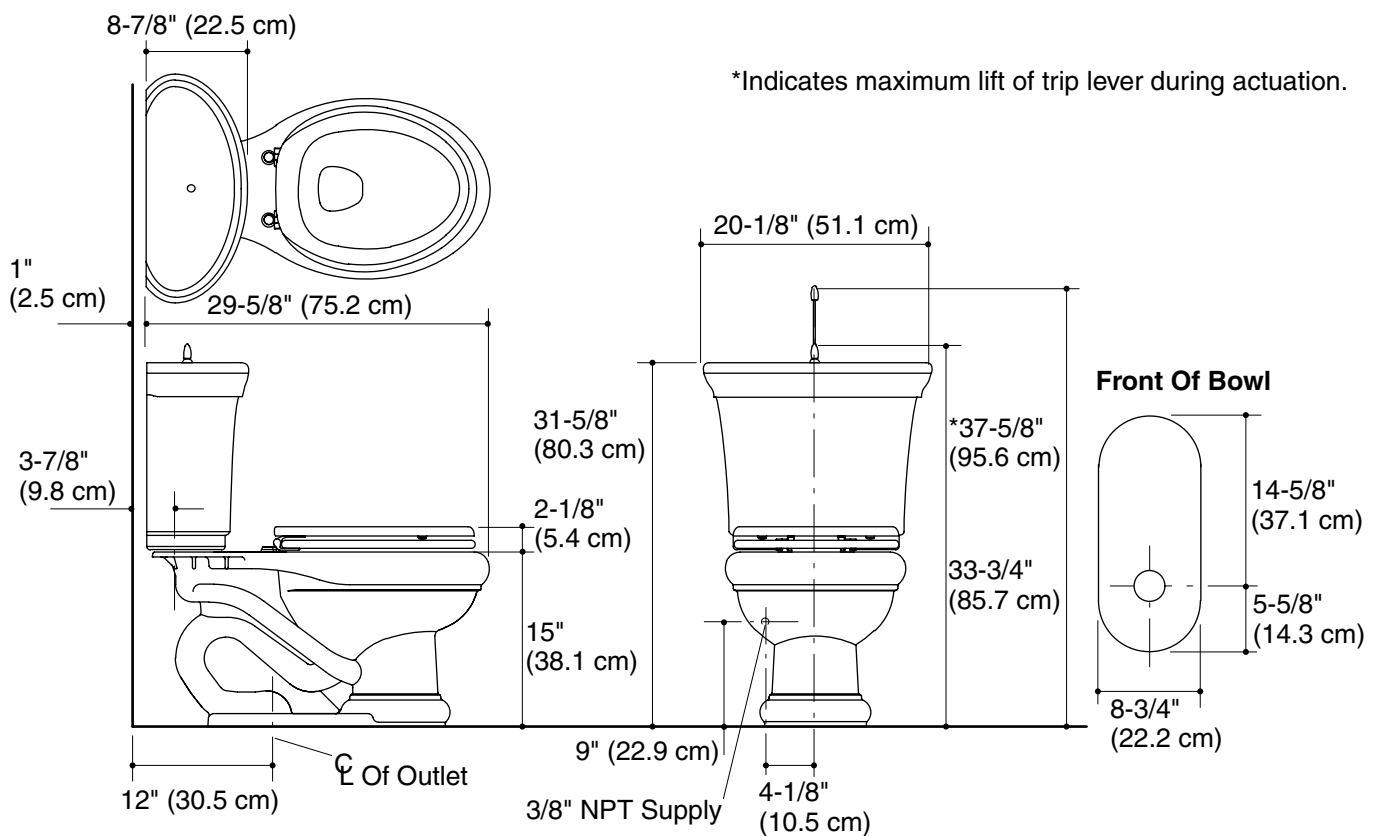
Technical Information

Fixture:	
Configuration	two-piece, elongated
Gallons per flush	1.6 gal (6 L)
Passageway	2" (5.1 cm)
Water area	10-1/4" (26 cm) x 9-1/8" (23.2 cm)
Water depth from rim	6-1/2" (16.5 cm)
Seat post hole centers	5-1/2" (14 cm)

Included components:	
Bowl	K-4355
Tank	K-4401
Tank cover	89970
Seat	K-4622
Flush actuator	K-9444-SP
Bolt cap accessory pack	1013092
Tank accessory pack	73062

Installation Notes

Install this product according to the installation guide.



Product Diagram