

### SERVICE SINK K-12867

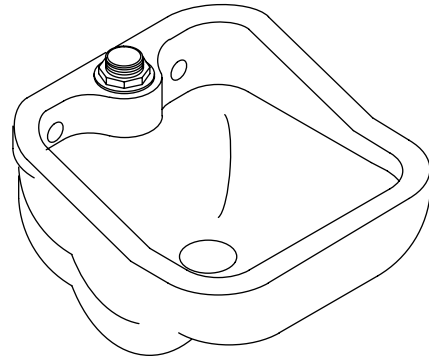
#### Features

- Vitreous china
- 1-1/2" (3.8 cm) top stud
- Blow-out action flushing rim
- 21-1/2" (54.6 cm) x 25" (63.5 cm)

#### Codes/Standards Applicable

Specified model meets or exceeds the following:

- ASME A112.19.2
- IAPMO/UPC
- CSA International
- CSA B45.0
- CSA B45.1
- State of Massachusetts



#### Colors/Finishes

- 0: White

#### Accessories

- CP: Polished Chrome
- NA: None applicable

#### Specified Model

Model	Description	Colors/Finishes
K-12867	Service sink	<input type="checkbox"/> 0
<b>Optional Accessories</b>		
K-8935	Stainless steel rim guard	<input type="checkbox"/> NA
K-13864	Loose sink strainer	<input type="checkbox"/> CP

#### Product Specification

The service sink shall be 21-1/2" (54.6 cm) in length, and 25" (63.5 cm) in width with a 1-1/2" (3.8 cm) top stud. The sink shall be made of vitreous china. The sink shall have blow-out action flushing rim. The sink shall be Kohler Model K-12867-\_\_\_\_\_.

