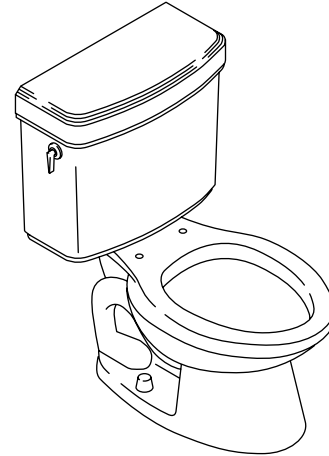


ELONGATED TOILET K-3482

Features

- Vitreous china
- 12" (30.5 cm) rough-in
- 2" (5.1 cm) glazed trapway
- Combination toilet
- Includes polished chrome trip lever
- Ingenium® flushing system
- Less seat and supply
- With right-hand trip lever (-RA)
- Elongated bowl
- 1.6 gpf (6 lpf)
- 10-3/4" (27.3 cm) x 9" (22.9 cm) water area
- 29" (73.7 cm) x 17" (43.2 cm) x 29-1/4" (74.3 cm)



Codes/Standards Applicable

Specified model meets or exceeds the following:

- ASME A112.19.2
- Energy Policy Act of 1992
- IAPMO/UPC
- CSA International
- CSA B45.0
- CSA B45.1

Colors/Finishes

- 0: White
- Other: Refer to Price Book for additional colors/finishes

Accessories

- 0: White
- CP: Polished Chrome
- PB: Vibrant® Polished Brass
- Other: Refer to Price Book for additional colors/finishes

Specified Model

Model	Description	Trip Lever	Colors/Finishes	
K-3482	Elongated bowl toilet	left-hand	<input type="checkbox"/> 0	<input type="checkbox"/> Other_____
K-3482-RA	Elongated bowl toilet	right-hand	<input type="checkbox"/> 0	<input type="checkbox"/> Other_____

Recommended Accessories

K-4636	Cachet™ Quiet-Close™ elongated toilet seat		<input type="checkbox"/> 0	<input type="checkbox"/> Other_____
K-7637	Angle supply with stop – 3/8" NPT	<input type="checkbox"/> CP	<input type="checkbox"/> PB	<input type="checkbox"/> Other_____

Optional Accessories

K-9438	Trip lever - non-CP		<input type="checkbox"/> PB	<input type="checkbox"/> Other_____
--------	---------------------	--	-----------------------------	-------------------------------------

Product Specification

The elongated combination toilet shall be made of vitreous china. The toilet shall be The toilet shall have 29" (73.7 cm) in length, 17" (43.2 cm) in width, and 29-1/4" (74.3 cm) in height with 10-3/4" (27.3 cm) x 9" (22.9 cm) water area. The toilet shall be 12" (30.5 cm) rough-in. The toilet shall have 2" (5 cm) glazed trapway. The toilet shall be 1.6 gpf (6 lpf) with Ingenium® flushing system. The toilet shall include polished chrome trip lever. The toilet shall be less seat and supply. The toilet shall include right hand trip lever (-RA) option. The toilet shall be Kohler Model K-3482-_____ or K-3482-RA-_____.

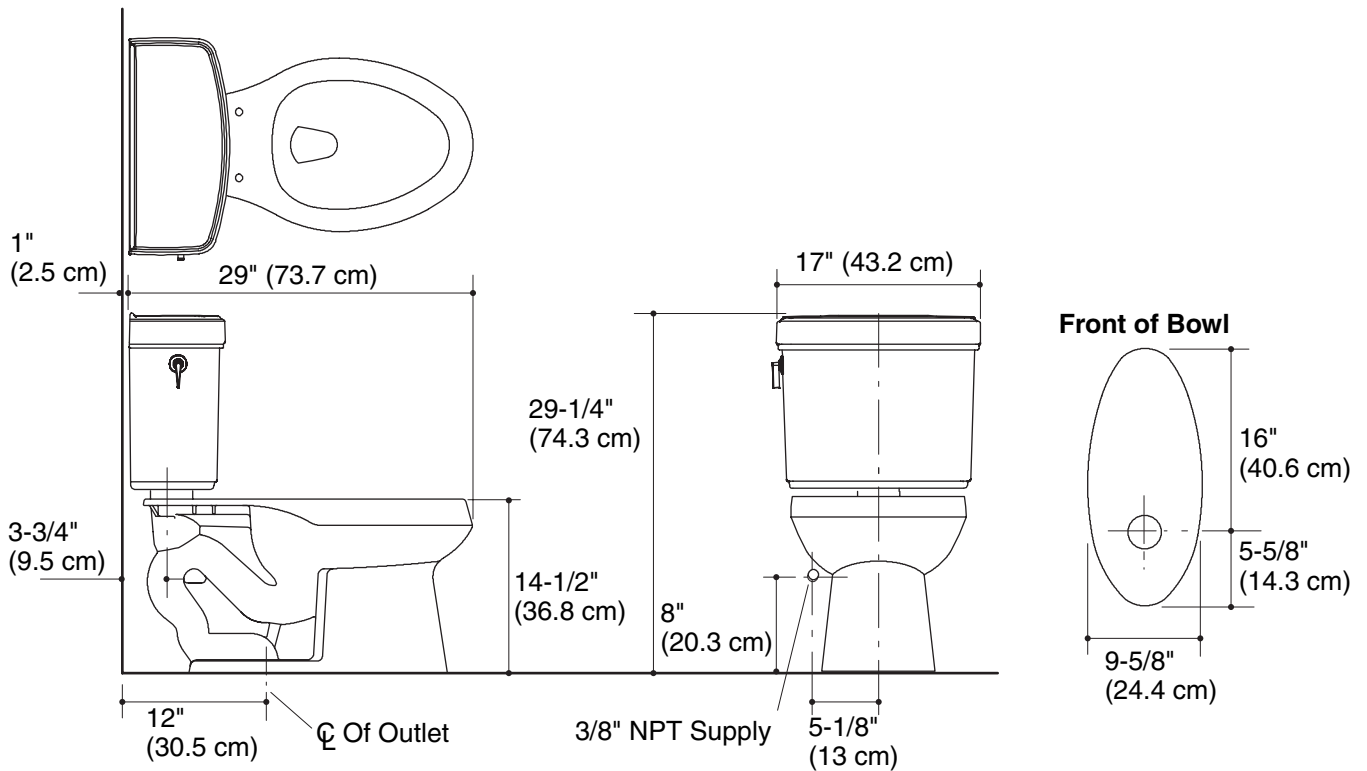
Technical Information

Fixture:	
Configuration	two-piece, elongated
Water per flush	1.6 gal (6 L)
Passageway	2" (5.1 cm)
Water area	10-3/4" (27.3 cm) x 9" (22.9 cm)
Water depth from rim	6" (15.2 cm)
Seat post hole centers	5-1/2" (14 cm)

Included components:	
Bowl	K-4276
Tank, left-hand	K-4609
Tank, right-hand	K-4609-RA
Tank cover	1015137
Trip lever, left-hand	85085
Trip lever, right-hand	1007913
Bolt cap accessory pack	1013092

Installation Notes

Install this product according to the installation guide.



Product Diagram