

**THREE-WAY TRANSFER VALVE  
K-687-K**

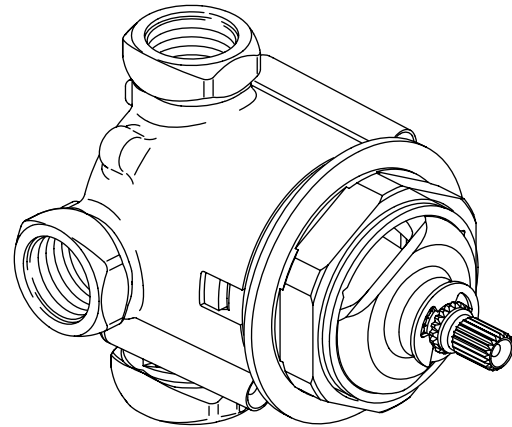
**Features**

- Brass construction
- Wall-mount
- Brass valve body
- Selection of one or combination of two outlets
- Single-handle control
- One 3/4" NPT inlet connection
- Three 1/2" NPT outlet connections
- Intended for use with Kohler® bath and shower supply valves

**Codes/Standards Applicable**

Specified model meets or exceeds the following:

- ASME A112.18.1/CSA B125.1
- IAPMO/UPC



**Colors/Finishes**

- NA: None applicable

**Specified Model**

Model	Description	Colors/Finishes
K-687-K	Three-way transfer valve	<input type="checkbox"/> NA

**Product Specification**

Single-handle wall-mount three-way transfer valve shall be of brass construction. Product shall feature one 3/4" NPT inlet connection, three 1/2" NPT outlet connections, and a brass valve body. Product shall feature a selection of one or combination of two outlets. Product is intended for installation with any Kohler bath and shower supply valves. Transfer valve shall be Kohler Model K-687-K-NA.

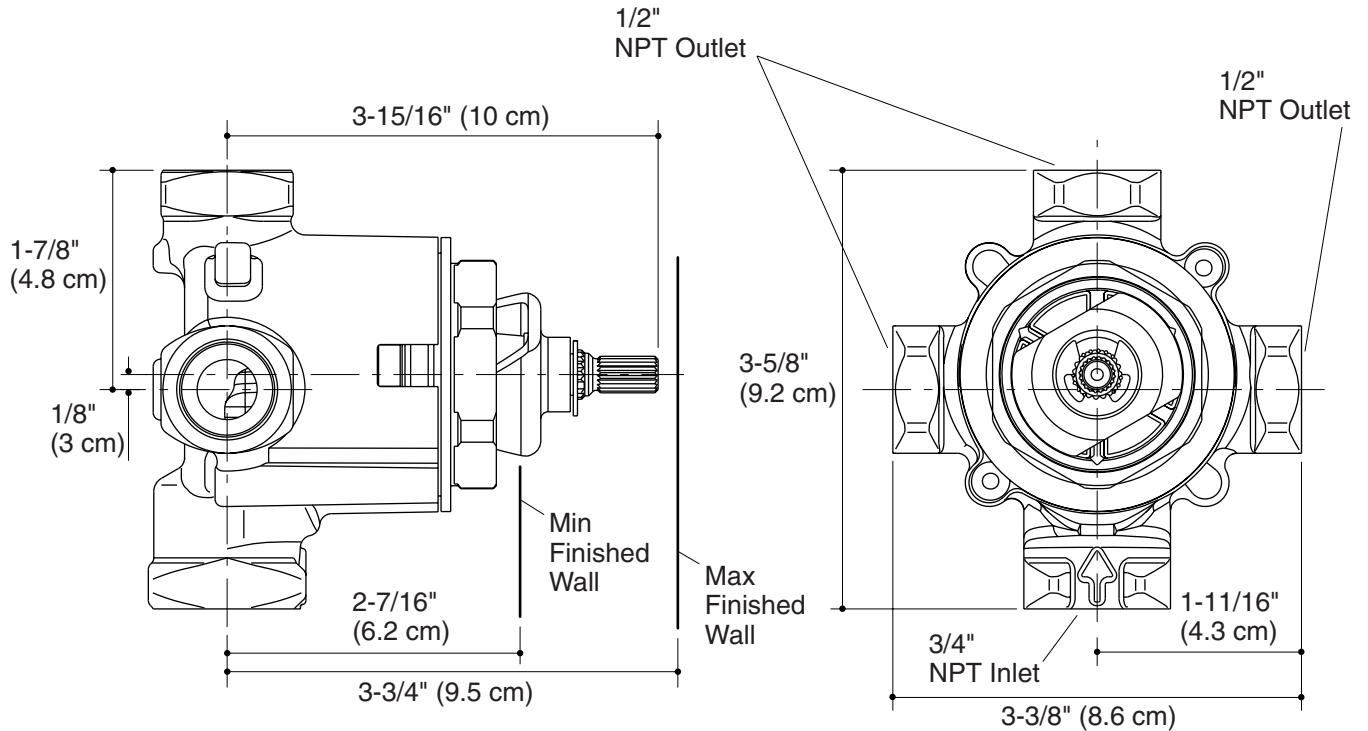
# MASTERSHOWER®

## Installation Notes

Install this product according to the installation guide.

Product is not intended for use as a shut-off valve.

Product requires a mixed water supply to the inlet.



## Product Diagram

MASTERSHOWER® THREE-WAY TRANSFER VALVE

Page 2 of 2  
1058930-4-A

THE BOLD LOOK  
OF **KOHLER**®