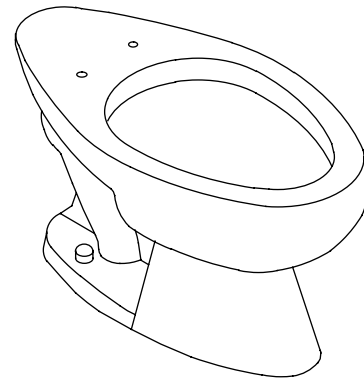


BOWL K-4301

ADA

Features

- Vitreous china
- Elongated bowl
- With bedpan lugs (-L)
- 11" (27.9 cm) minimum rough-in
- 1-1/2" rear spud
- 11-3/8" (28.9 cm) x 10-3/8" (26.4 cm) water area
- 2-1/4" (5.7 cm) passageway
- 16-1/2" (41.9 cm) high bowl is ADA compliant with seat
- 1.6 gpf (6 lpf)
- 26" (66 cm) x 14-1/2" (36.8 cm) x 16-1/2" (41.9 cm)



Codes/Standards Applicable

Specified model meets or exceeds the following:

- ADA
- ASME A112.19.2
- ICC/ANSI A117.1
- Energy Policy Act of 1992 (EPACT)

Colors/Finishes

- 0: White
- Other: Refer to Price Book for additional colors/finishes

Accessories:

- 0: White
- Other: Refer to Price Book for additional colors/finishes

Specified Model

Model	Description	Colors/Finishes	
K-4301	Elongated bowl toilet	<input type="checkbox"/> 0	<input type="checkbox"/> Other _____
K-4301-L	Elongated bowl toilet with bedpan lugs	<input type="checkbox"/> 0	<input type="checkbox"/> Other _____

Recommended Accessories			
K-4670-C	Lustra™ open front seat	<input type="checkbox"/> 0	<input type="checkbox"/> Other _____
K-4670-CA	Lustra open front seat with anti-microbial agent	<input type="checkbox"/> 0	

Product Specification

The elongated bowl shall be 11" (27.9 cm) minimum rough-in with 1-1/2" rear spud. Bowl shall be made of vitreous china. Bowl shall have 11-3/8" (28.9 cm) by 10-3/8" (26.4 cm) water area. Bowl shall be 1.6 gpf (6 lpf). Bowl shall be ADA compliant with 16-1/2" (41.9 cm) high bowl with seat. Bowl shall have a 2-1/4" (5.7 cm) passageway. Bowl shall have bedpan lugs (-L). Bowl shall be 26" (66 cm) in length, 14-1/2" (36.8 cm) in width, and 16-1/2" (41.9 cm) in height. Bowl shall be Kohler Model K-4301-_____-_____.

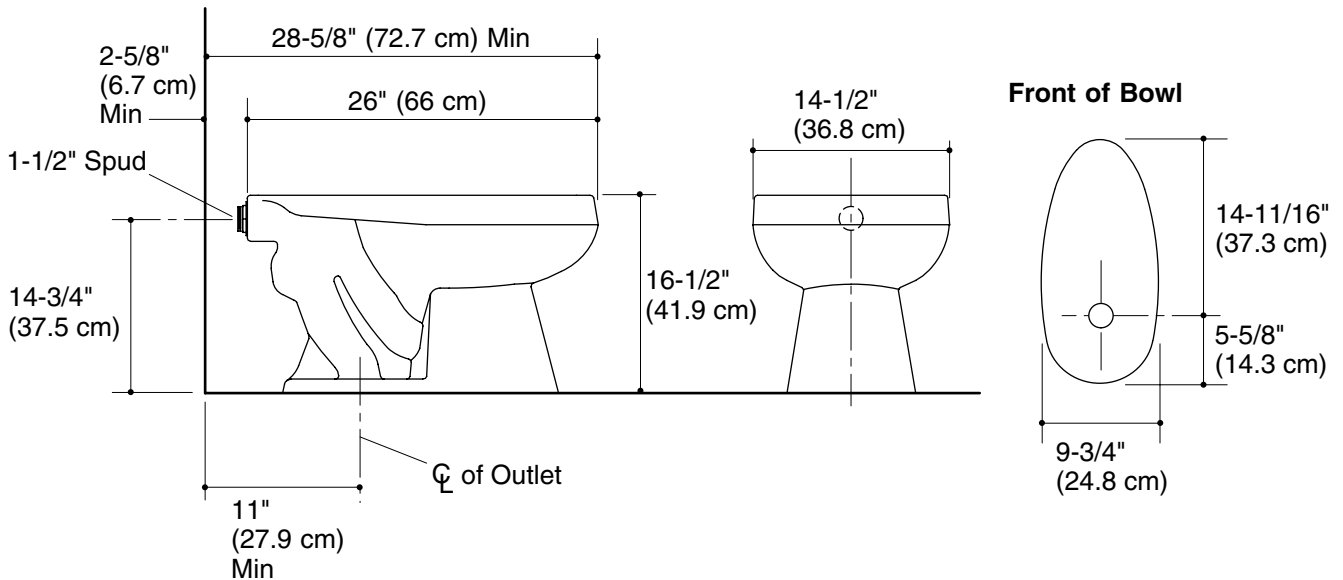
HIGHCREST™

Technical Information

Fixture is ADA compliant. ADA	
Fixture:	
Configuration	Rear spud, elongated
Water per flush	1.6 gal (6 L)*
Spud size	1-1/2"
Passageway	2-1/4" (5.7 cm)
Water area	11-3/8" (28.9 cm) x 10-3/8" (26.4 cm)
Water depth from rim	6" (15.2 cm)
Seat post hole centers	5-1/2" (14 cm)
* Designed to flush with 1.6 gal (6 L) of water when installed with a 1.6 gallon (6 L) flush valve.	
Included components:	
Spud	18357
Bolt caps (pair)	52048

Installation Notes

Install this product according to the installation guide. Refer to manufacturer and local codes for flush valve requirements.



Product Diagram