

Features

- Vitreous china
- Semi-recessed
- 1-1/4" trap with brushed chrome strainer
- Includes supply fitting

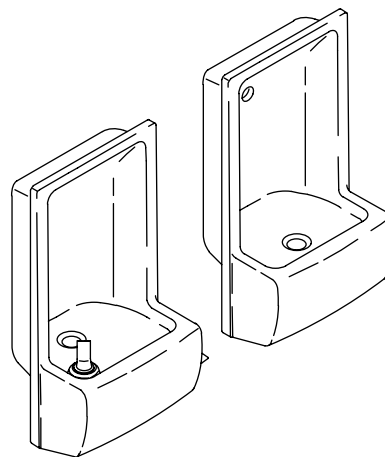
DRINKING FOUNTAIN AND CUSPIDOR **K-5293** ALSO K-5295

ADA

Codes/Standards Applicable

Specified model meets or exceeds the following:

- ASME A112.19.2
- IAPMO/UPC
- CSA B45
- NSF 61
- ADA compliant when installed at recommended height



Colors/Finishes

- 0: White
- Other: Refer to Price Book for additional colors/finishes

Specified Model

Model	Description	Colors/Finishes	
K-5293	Drinking fountain	<input type="checkbox"/> 0	<input type="checkbox"/> Other _____
K-5295	Cuspidor	<input type="checkbox"/> 0	<input type="checkbox"/> Other _____

Product Specification

The semi-recessed drinking fountain and cuspidor shall be made of vitreous china. Drinking fountain and cuspidor shall have 1-1/4" trap with brushed chrome strainer and supply fitting. Drinking fountain shall be Kohler Model K-5293-_____, and cuspidor shall be Kohler Model K-5295-_____.

