

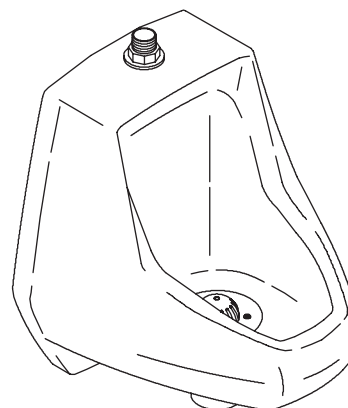
Features

- Vitreous china
- Washout
- 0.5 gpf (1.89 lpf) to 1 gpf (3.78 lpf)
- 3/4" rear spud

Codes/Standards Applicable

Specified model meets or exceeds the following:

- ADA when rim is mounted no higher than 17" (43.2 cm) from finished floor
- ASME A112.19.2
- IAPMO/UPC
- ICC/ANSI A117.1
- Energy Policy Act of 1992 (EPACT)
- CSA B45



Colors/Finishes

- 0: White
- Other: Refer to Price Book for additional colors/finishes

Accessories:

- CP: Polished Chrome
- G: Brushed Chrome

Specified Model

Model	Description	Colors/Finishes	
K-5024-T	3/4" top spud urinal	<input type="checkbox"/> 0	<input type="checkbox"/> Other_____
Recommended Accessories			
K-9000	1-1/2" P-Trap	<input type="checkbox"/> CP	
Optional Accessories			
K-13686	Touchless battery-powered urinal flush valve, fixture mounted	<input type="checkbox"/> G	

Product Specification

The washout urinal shall be made of vitreous china with a 3/4" top spud. Urinal shall use 0.5 gpf (1.89 lpf) to 1 gpf (3.78 lpf). Urinal shall be Kohler Model K-5024-T-_____.

DARFIELD™

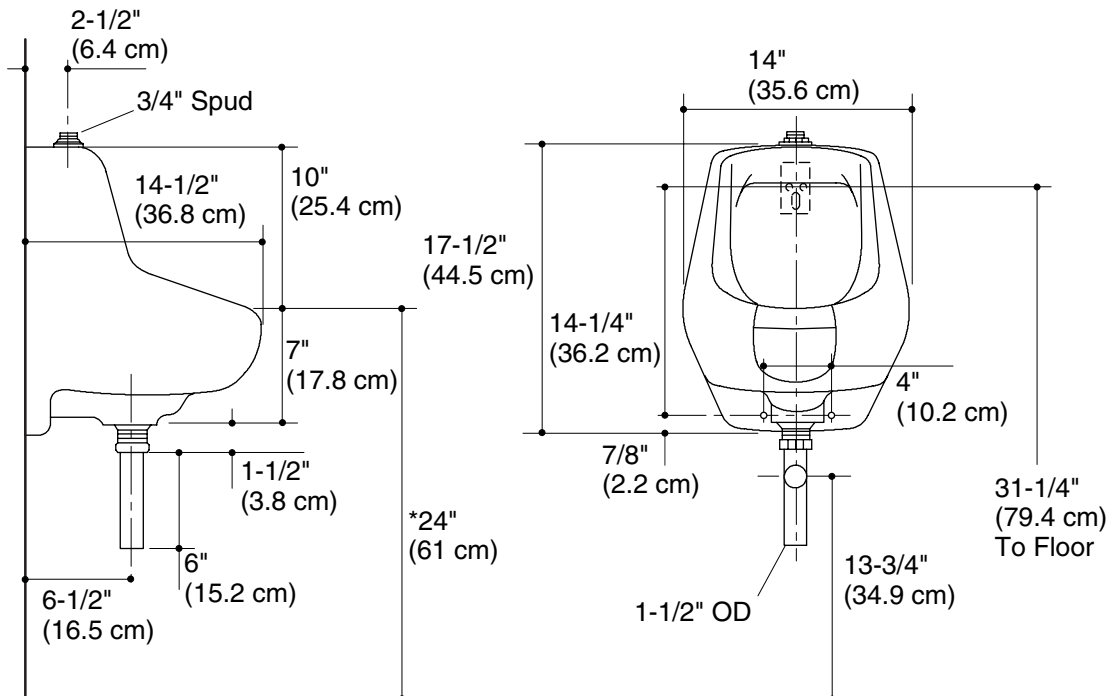
Technical Information

Urinal complies with ADA requirements when rim is mounted no higher than 17" (43.2 cm) from finished floor.	
ADA	
Fixture:	
Configuration	3/4" top spud
Spud inlet size	3/4"
Water per flush	0.5 gal (1.89 L) to 1 gal (3.78 L)*
* Designed to use 0.5 gal (1.89 L) to 1 gal (3.78 L) of water when installed with a water saving flush valve.	
Included components:	
3/4" inlet spud	18376
1-1/2" outlet spud	18357
Strainer	85061
1-1/2" tailpiece	38530
Hanger (1 required)	64512
Refer to manufacturer's instructions and local codes for flush valve requirements.	

Installation Notes

Install this product according to the installation guide.

*Urinal complies with ADA requirement when rim is mounted no higher than 17" (43.2 cm) from finished floor



Product Diagram