

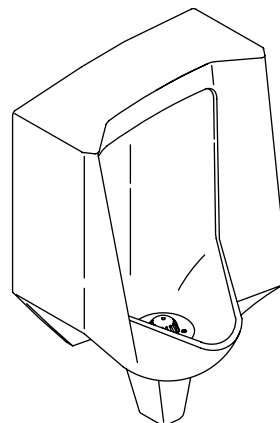
Features

- Vitreous china
- Washout
- 3/4" rear spud
- Includes removable beehive strainer, inlet and outlet spuds, and hangers
- 0.5 gpf (1.89 lpf) to 1 gpf (3.78 lpf)
- 14-1/8" (35.9 cm) extended rim

Codes/Standards Applicable

Specified model meets or exceeds the following:

- ADA when rim is mounted no higher than 17" (43.2 cm) from finished floor
- ASME A112.19.2
- IAPMO/UPC
- ICC/ANSI A117.1
- Energy Policy Act of 1992 (EPACT)
- CSA B45



Colors/Finishes

- 0: White
- Other: Refer to Price Book for additional colors/finishes

Accessories:

- G: Brushed Chrome

Specified Model

Model	Description	Colors/Finishes	
K-4960-ER	3/4" rear spud urinal	<input type="checkbox"/> 0	<input type="checkbox"/> Other_____
Optional Accessories			
K-13667	Touchless plug-in power supply		
K-13671	Touchless 60" (152.4 cm) extension		
K-13680	Touchless battery-powered urinal flush valve, wall mounted	<input type="checkbox"/> G	

Product Specification

The washout urinal shall be made of vitreous china with a 3/4" rear spud. Urinal shall have a 14-1/8" (35.9 cm) extended rim. Urinal shall include a removable beehive strainer, inlet and outlet spuds, and hangers. Urinal shall use 0.5 gpf (1.89 lpf) to 1 gpf (3.78 lpf). Urinal shall be Kohler Model K-4960-ER-_____.

BARDON™ SUPERIOR

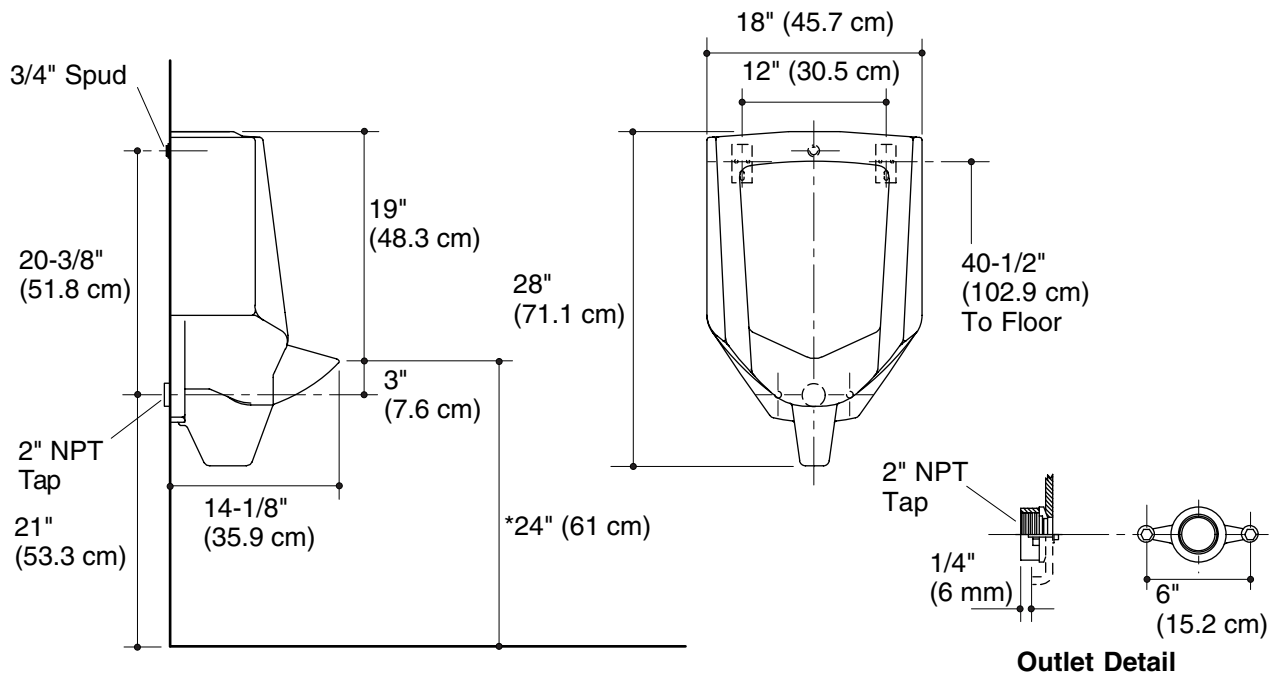
Technical Information

Urinal complies with ADA requirements when rim is mounted no higher than 17" (43.2 cm) from finished floor.	
ADA	
Fixture:	
Configuration	Rear spud
Water per flush	0.5 gal (1.89 L) to 1 gal (3.78 L)*
Spud inlet size	3/4"
* Designed to flush with 0.5 gal (1.89 L) of water when installed with a 0.5 gal (1.89 L) flush valve.	
Included components:	
3/4" inlet spud	18376
2" outlet spud	18766
Strainer	85061
Hanger (2 required)	64512

Installation Notes

Install this product according to the installation guide. Refer to manufacturer's instructions and local codes for flush valve requirements.

*Urinal complies with ADA requirements when rim is mounted no higher than 17" (43.2 cm) from finished floor.



Product Diagram