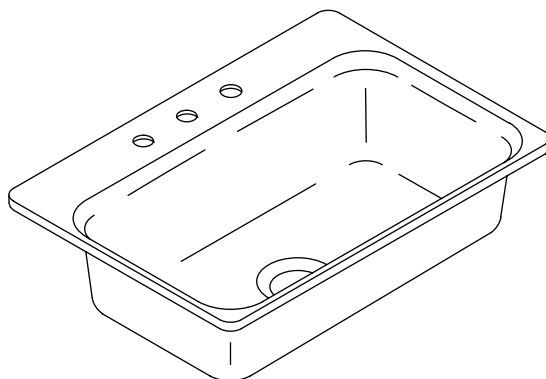


Features

- KOHLER cast iron
- Acid-resistant enamel finish
- Tile-in or metal frame installation
- Single compartment
- 3-hole (-3) or 4-hole (-4)
- 30" (76.2 cm) x 21" (53.3 cm)

TILE-IN OR METAL FRAME KITCHEN SINK K-5834



Codes/Standards Applicable

Specified model meets or exceeds the following:

- ASME A112.19.1M
- IAPMO/UPC

Colors/Finishes

- 0: White
- Other: Refer to Price Book for additional colors/finishes

Accessories:

- 0: White
- CP: Polished Chrome
- NA: None applicable
- Other: Refer to Price Book for additional colors/finishes

Specified Model

Model	Description	Colors/Finishes	
K-5834-3	3-hole sink	<input type="checkbox"/> 0	<input type="checkbox"/> Other_____
K-5834-4	4-hole sink	<input type="checkbox"/> 0	<input type="checkbox"/> Other_____

Recommended Accessories			
K-9000	P-Trap	<input type="checkbox"/> CP	

Optional Accessories			
K-5836	Polyethylene cutting board	<input type="checkbox"/> 0	
K-6517	Bottom basin rack	<input type="checkbox"/> 0	<input type="checkbox"/> Other_____
K-6599	Metal frame	<input type="checkbox"/> NA	
K-8801	Duostrainer® sink strainer	<input type="checkbox"/> CP	<input type="checkbox"/> Other_____

Product Specification

The kitchen sink shall be made of cast iron with acid-resistant enamel finish. Sink shall be tile-in or metal frame installation. Sink shall be single compartment. Sink shall be 3-hole (-3) or 4-hole (-4). Sink shall be 30" (76.2 cm) in length and 21" (53.3 cm) in width. Sink shall be Kohler Model K-5834-_____-_____.

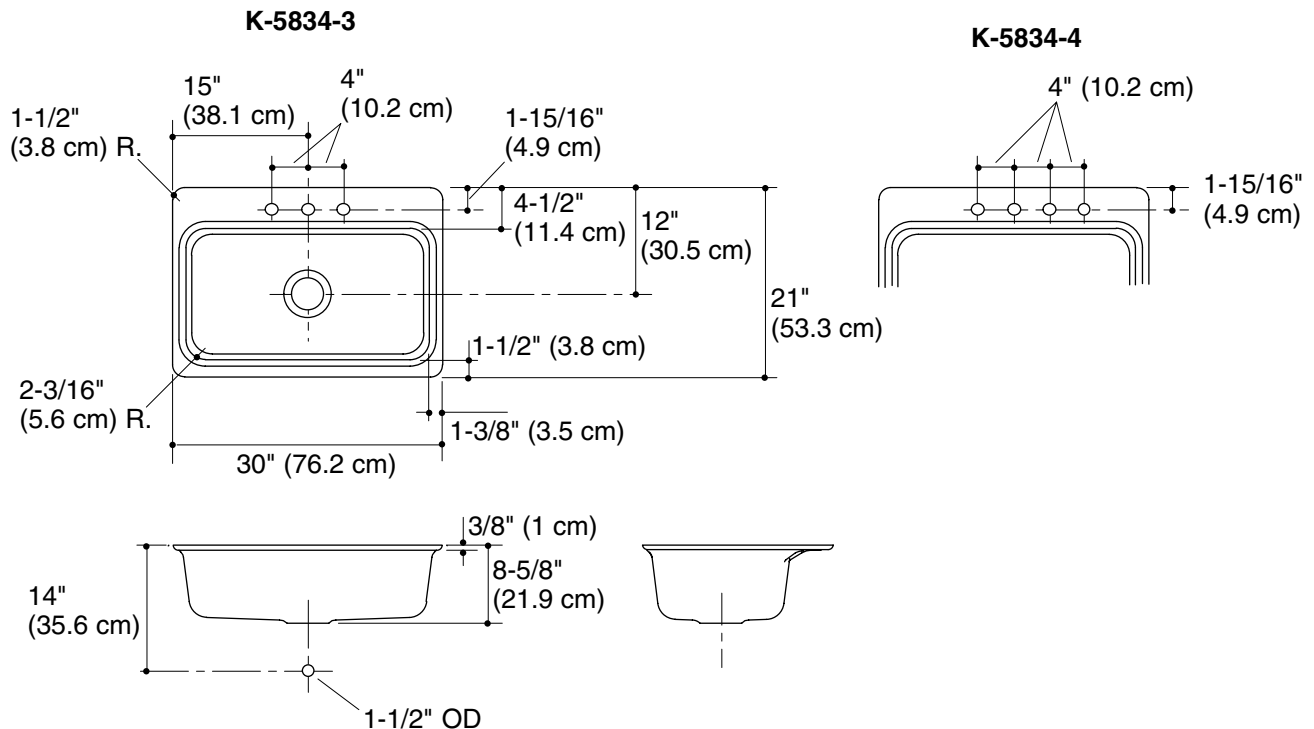
BAKERSFIELD™

Technical Information

Fixture*:	
Basin area	27" (68.6 cm) x 15" (38.1 cm)
Water depth	8" (20.3 cm)
Drain hole	3-5/8" (9.2 cm) D.
Faucet holes	1-3/8" (3.5 cm) D.
* Approximate measurements for comparison only.	

Installation Notes

Install this product according to the installation guide.
A metal frame is required for installation.



Product Diagram

BAKERSFIELD™ TILE-IN OR METAL FRAME KITCHEN SINK

Page 2 of 2
113820-4-CB

THE BOLD LOOK
OF **KOHLER**®