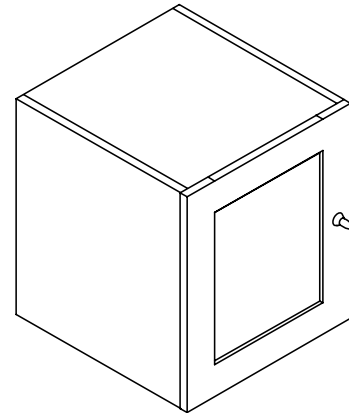


### Features

- Select hard maple, both solids and veneers
- 4 unique door inserts
- Modular system allows creativity and flexibility with design layout
- Fashionable yet functional bathroom storage
- K-3107 - 14" (35.6 cm) x 12 1/2" (31.8 cm) x 31" (78.7 cm)
- K-3108 - 14" (35.6 cm) x 12 1/2" (31.8 cm) x 14" (35.6 cm)

### STORAGE CASES K-3107 ALSO K-3108



### Codes/Standards Applicable

Specified model meets or exceeds the following:

- None applicable

### Colors/Finishes

- F2: Black Forest
- DG: Textured Glass
- GL: Clear Glass
- ST: Vented Steel
- WD: Wood

### Accessories:

- T6: Ironstone White
- T7: Solar Black
- T8: Shell Beach Blended Stone
- T9: Loam Grey
- ST: Stainless Steel

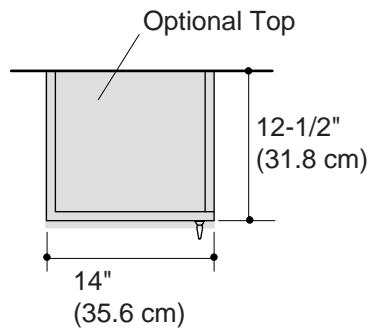
### Specified Model

| Model  | Description                     | Door Insert Colors/Finishes |                             |                             |                             | Module Finish               |
|--------|---------------------------------|-----------------------------|-----------------------------|-----------------------------|-----------------------------|-----------------------------|
|        |                                 | <input type="checkbox"/> DG | <input type="checkbox"/> GL | <input type="checkbox"/> ST | <input type="checkbox"/> WD |                             |
| K-3107 | Storage case 31" (78.7 cm) high | <input type="checkbox"/> DG | <input type="checkbox"/> GL | <input type="checkbox"/> ST | <input type="checkbox"/> WD | <input type="checkbox"/> F2 |
| K-3108 | Storage case 14" (35.6 cm) high | <input type="checkbox"/> DG | <input type="checkbox"/> GL | <input type="checkbox"/> ST | <input type="checkbox"/> WD | <input type="checkbox"/> F2 |

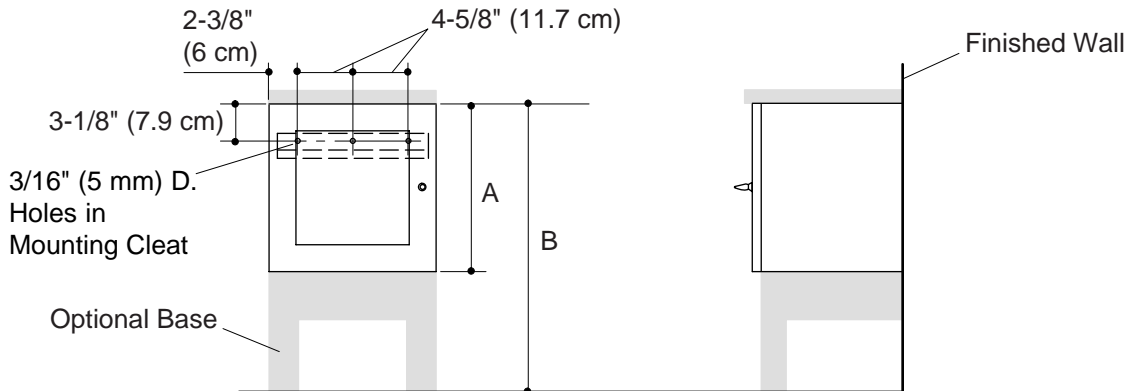
| Optional Accessories |                                      |                             |                             |                             |                             |                             |
|----------------------|--------------------------------------|-----------------------------|-----------------------------|-----------------------------|-----------------------------|-----------------------------|
| K-3109               | 4-legged base                        |                             |                             |                             |                             | <input type="checkbox"/> F2 |
| K-3110               | 2-legged base                        |                             |                             |                             |                             | <input type="checkbox"/> F2 |
| K-3045               | Case top 14" (35.6 cm) x 13" (33 cm) | <input type="checkbox"/> T6 | <input type="checkbox"/> T7 | <input type="checkbox"/> T8 | <input type="checkbox"/> T9 | <input type="checkbox"/> ST |

### Product Specification

The storage cases shall be 14" (35.6 cm) in length and 12 1/2" (31.8 cm) in width; K-3107 shall be 31" (78.7 cm) in height and K-3108 shall be 14" (35.6 cm) in height. The storage cases shall be made of select hard maple, both solids and veneers. Storage cases shall have 4 unique door inserts. Storage cases shall be Kohler Model K-\_\_\_\_-\_\_\_\_-\_\_\_\_.



| Roughing-In Notes |               |                |
|-------------------|---------------|----------------|
|                   | A             | B              |
| K-3108            | 14" (35.6 cm) | 24" (61 cm)    |
| K-3107            | 31" (78.7 cm) | 41" (104.1 cm) |



## Product Diagram