

**LAVATORY FAUCET  
K-16104**

**ADA**

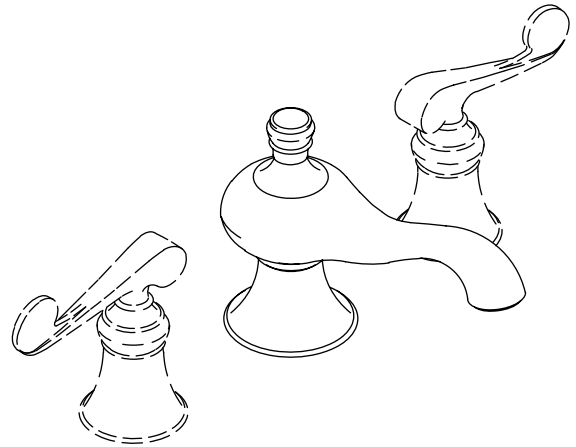
**Features**

- Brass construction
- Brass valve bodies
- Quarter-turn washerless ceramic disc valves
- For 8" (20.3 cm) or 16" (40.6 cm) centers
- 5-1/4" (13.3 cm) spout
- 2 gallons (7.5 L) per minute
- Lower flow aerator options are available (refer to the Kohler Price Book)
- Flexible connections for easy installation
- Available with scroll or traditional handles
- Complements Revival® Suite

**Codes/Standards Applicable**

Specified model meets or exceeds the following:



- ADA
- ASME A112.18.1
- CSA B125
- IAPMO/UPC
- NSF 61
- Energy Policy Act of 1992 (EPACT)



**Colors/Finishes**

- CP: Polished Chrome
- Other: Refer to Price Book for additional colors/finishes

**Specified Model:**

Model	Description				
K-16104-4	Lavatory faucet - scroll handles	<input type="checkbox"/> CP	<input type="checkbox"/> Other ____		
K-16104-4A	Lavatory faucet - traditional handles			<input type="checkbox"/> CP	<input type="checkbox"/> Other ____

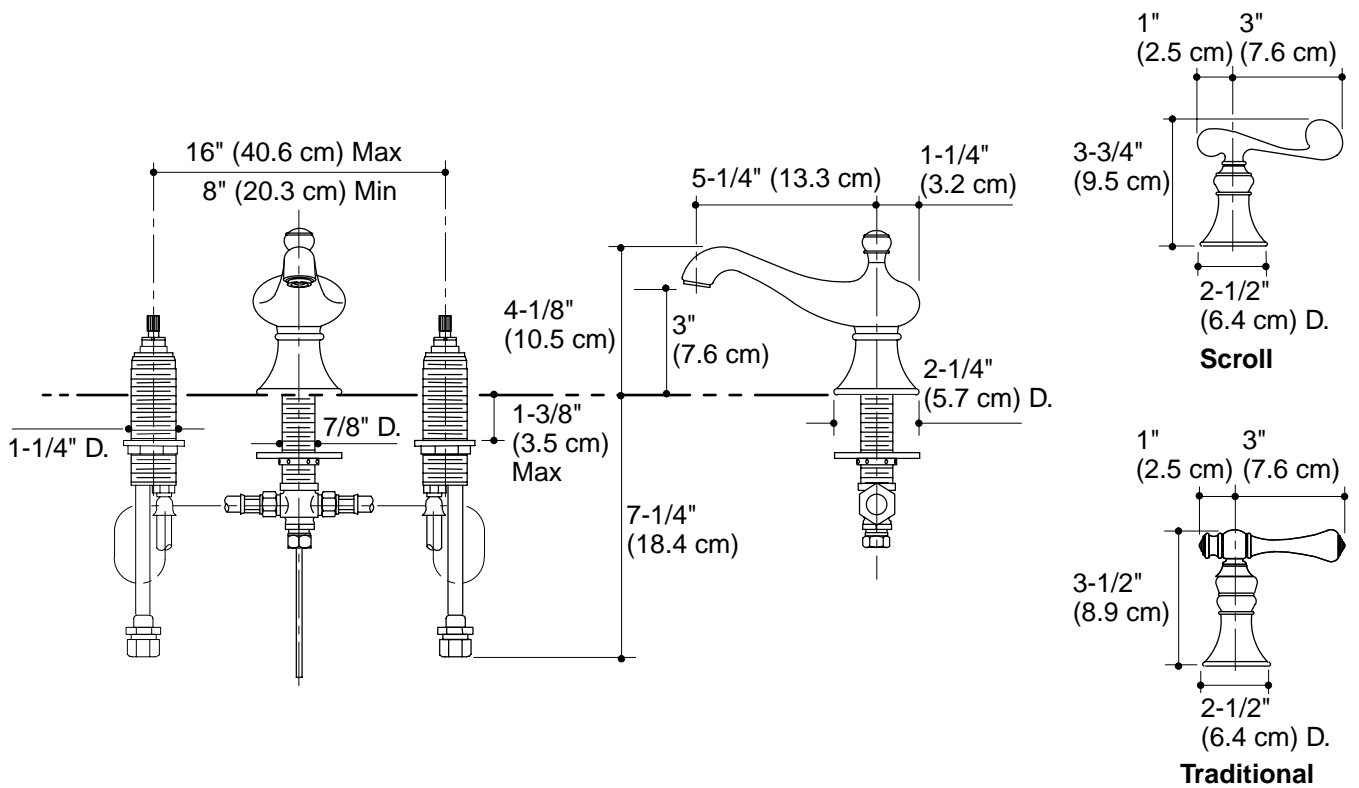
**PRODUCT SPECIFICATION**

Two-handle widespread lavatory faucet shall be of brass construction. Faucet shall feature brass valve bodies. Faucet shall feature quarter-turn washerless ceramic disc valves, assuring positive handle stop positioning. Product shall have a flow rate of 2 gallons (7.5 L) per minute with lower flow aerator options available (refer to the Kohler Price Book). Product shall be available with 8" (20.3 cm) or 16" (40.6 cm) centers. Product shall have a 5-1/4" (13.3 cm) spout, flexible connections, and scroll or traditional handles. Product shall complement the Revival Suite. Faucet shall be Kohler Model K-16104-\_\_\_\_-\_\_\_\_.

# REVIVAL®

## Installation Notes

Install this product according to the installation guide.



## Product Diagram