

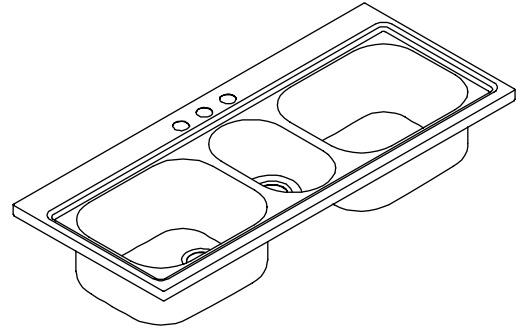
Features

- 18 gauge stainless steel
- Flush-mount
- Triple compartment sink with two equal basins and smaller central disposal basin
- 3-hole
- Includes installation hardware
- 60" (152.4 cm) x 25-3/4" (65.4 cm)

Codes/Standards Applicable

Specified model meets or exceeds the following:

- ASME A112.19.3
- IAPMO/UPC
- CSA B45



Colors/Finishes

- NA: None applicable

Accessories:

- CP: Polished Chrome
- NA: None applicable

Specified Model

Model	Description	Colors/Finishes
K-3328-3	3-hole sink	<input type="checkbox"/> NA
Recommended Accessories		
K-6330	ProMaster™ faucet	<input type="checkbox"/> CP
K-9000	P-Trap (3 traps recommended)	<input type="checkbox"/> CP
Available Accessories		
K-2989	Countertop cutting board	<input type="checkbox"/> NA
K-8813	Stainless steel sink strainer	<input type="checkbox"/> CP

Product Specification

The flush-mount sink shall be 60" (152.4 cm) in length and 25-3/4" (65.4 cm) in width. Sink shall be made of 18 gauge stainless steel. Sink shall feature 3-hole drilling. Sink shall feature a triple compartment with two equal basins and one smaller center disposal basin. Sink shall include installation hardware. Sink shall be Kohler Model K-3328-3.

PRO TASKCENTER™

Technical Information

Fixture*:	Basin area	Basin depth
Sink, left	21" (53.3 cm) x 18" (45.7 cm)	9-1/4" (23.5 cm)
Disposal	11" (27.9 cm) x 18" (45.7 cm)	5-1/4" (13.3 cm)
Sink, right	21" (53.3 cm) x 18" (45.7 cm)	9-1/4" (23.5 cm)
Drain holes	3-5/8" (9.2 cm) D.	
Faucet holes	1-3/8" (3.5 cm) D.	

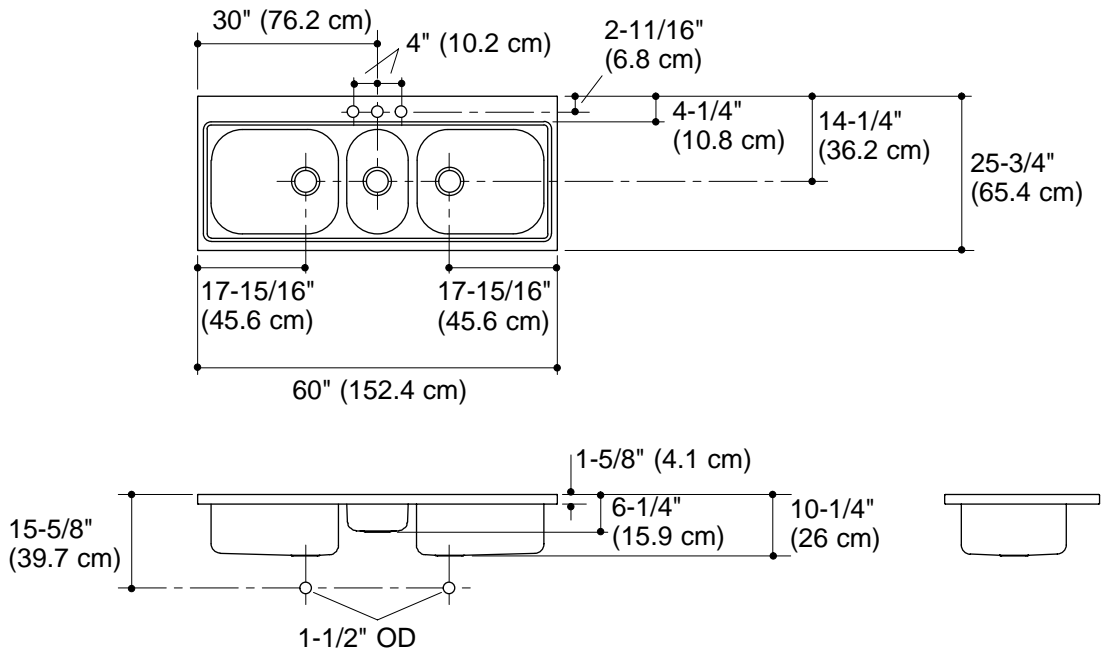
* Approximate measurements for comparison only.

Included components:	
Installation hardware	87357
Cutting board	87365
Wire rack	87366
Wire basket	87360
Basin accessory	87367-96

Installation Notes

Install this product according to the installation guide.

For the disposal unit, consult the supplier for roughing-in measurements.



Product Diagram