

### TILE-IN UTILITY SINK K-6606

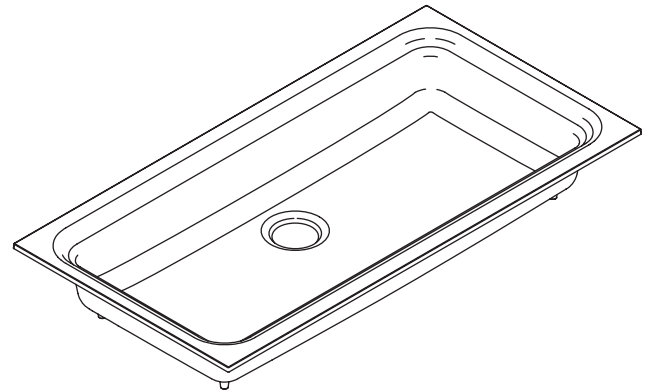
#### Features

- KOHLER cast iron
- Single compartment
- Tile-in
- Acid resistant enamel finish
- 48" (121.9 cm) x 25" (63.5 cm)

#### Codes/Standards Applicable

Specified model meets or exceeds the following:

- ASME A112.19.1
- IAPMO/UPC
- CSA B45



#### Colors/Finishes

- 0: White
- Other: Refer to Price Book for additional colors/finishes

#### Accessories:

- CP: Polished Chrome
- ST: Stainless Steel
- Other: Refer to Price Book for additional colors/finishes
- NA: None applicable

#### Specified Model

Model	Description	Colors/Finishes	
K-6606	Floor sink	<input type="checkbox"/> 0 White	<input type="checkbox"/> Other _____

#### Recommended Accessories

K-8801	Duostrainer® sink strainer (for countertop installation)	<input type="checkbox"/> CP	<input type="checkbox"/> Other _____
K-8807	Sink strainer (for floor installation)	<input type="checkbox"/> CP	<input type="checkbox"/> Other _____

#### Optional Accessories

K-5806	Undermount sink kit, 25" (63.5 cm)	<input type="checkbox"/> NA
K-5807	Undermount sink kit, 36" (91.4 cm)	<input type="checkbox"/> NA
K-6024	Wood grate	<input type="checkbox"/> NA
K-6028L	Bottom basin rack (left-side of drain)	<input type="checkbox"/> ST
K-6028R	Bottom basin rack (right-side of drain)	<input type="checkbox"/> ST

#### Product Specification:

The tile-in utility sink shall be 48" (121.9 cm) in length and 25" (63.5 cm) in width. Sink shall be made of cast iron with acid resistant enamel finish. Sink shall be single basin. Sink shall be Kohler Model K-6606-\_\_\_\_\_.

# OCEANVIEW™

## Technical Information

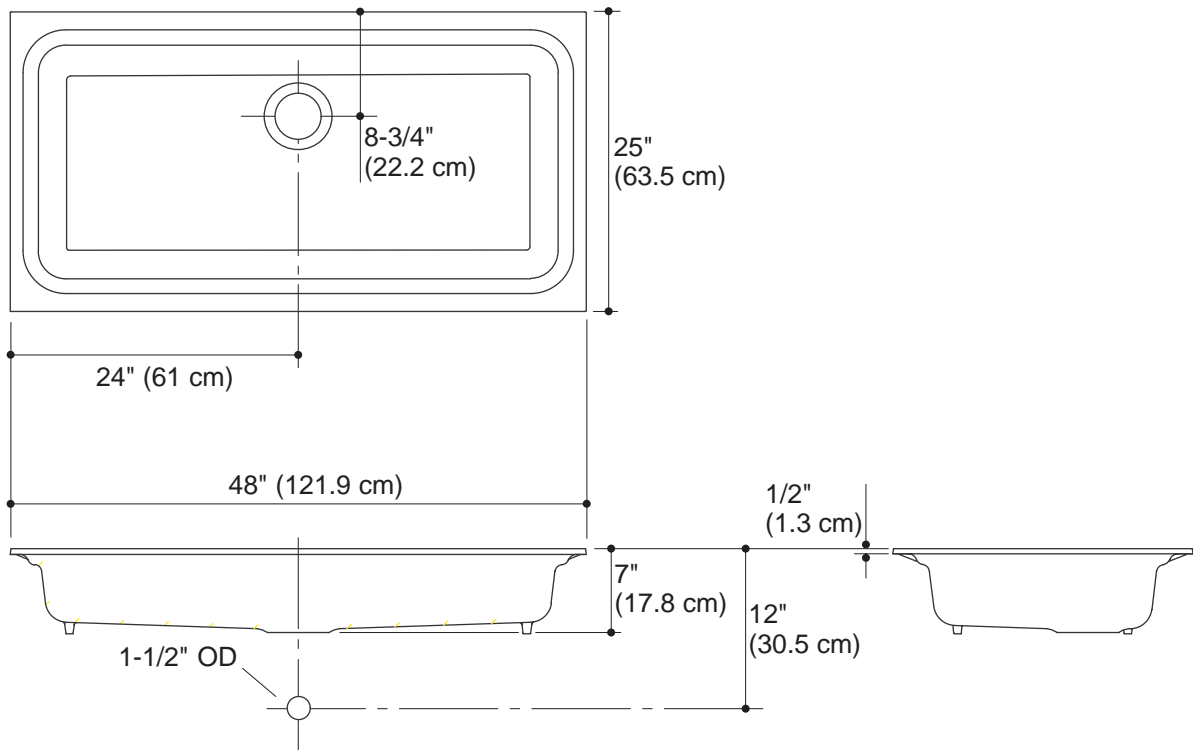
Fixture:*	
Sink	
basin area	42-3/16" (107.2 cm) x 18-3/8" (46.7 cm)
basin depth	6-3/8" (16.2 cm)
drain hole	3-5/8" (9.2 cm) inside diameter
water capacity	20 gallons (75.7 liters)
* Approximate measurements for comparison only.	
Cutout, tile-in	47-1/2" (120.7 cm) x 24-1/2" (62.2 cm) with 1" (2.5 cm) radius corners
Cutout, undermount	44-3/8" (112.7 cm) x 20-1/2" (52.1 cm) with 2-7/8" (7.3 cm) radius corners

## Installation Notes

Install this product according to the installation guide.

Undersink access may be necessary to make the drain connection to the trap

Allow for adequate clearance between the bottom of the sink to the trap to complete the drain connection.



## Product Diagram