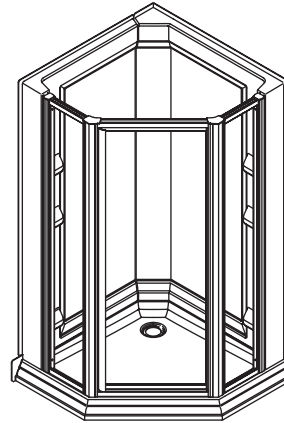


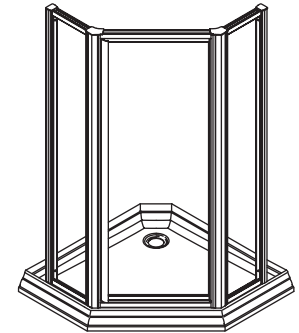
Features

- 3/4" (2 cm) adjustability per side
- Soft touch foam handle insert
- Stainless steel hardware prevents rusting or corrosion
- Full length magnetic seal
- Right or left door swing
- Tempered glass ensures maximum safety and durability

NEO-ANGLE SHOWER ENCLOSURE K-702300 ALSO K-702305



702300



702305

Codes/Standards Applicable

Specified model meets or exceeds the following:

- ANSI Z97.1 (tempered glass)

Glass Options

- B1: Intrex™
- D3: Frosted
- L: Clear

Frame and Accessory Finishes/Colors:

- CP: Polished Chrome
- SH: Bright Silver
- BH: Bright Brass
- MX: Matte Nickel
- ABX: Brazen Bronze

Specified Model

Model	Description	Glass Options			Frame Finishes/Colors			
K-702300	Shower enclosure for K-1675 walls and K-9468 receptor	<input type="checkbox"/> B1	<input type="checkbox"/> D3	<input type="checkbox"/> L	<input type="checkbox"/> SH	<input type="checkbox"/> BH	<input type="checkbox"/> MX	<input type="checkbox"/> ABX
K-702305	Shower enclosure for K-9468 receptor	<input type="checkbox"/> B1	<input type="checkbox"/> D3	<input type="checkbox"/> L	<input type="checkbox"/> SH	<input type="checkbox"/> BH	<input type="checkbox"/> MX	<input type="checkbox"/> ABX

Recommended Accessory			
K-1675	Shower Walls	<input type="checkbox"/> 0	<input type="checkbox"/> Other_____
K-9468	Shower receptor	<input type="checkbox"/> 0	<input type="checkbox"/> Other_____
K-9132	Drain	<input type="checkbox"/> CP	<input type="checkbox"/> Other_____

Product Specification

Neo-angle shower enclosure shall be right or left swing. Enclosure shall include 3/4" (2 cm) adjustability per side. Enclosure shall include a soft touch foam handle insert, full length magnetic seal, and stainless steel hardware to prevent rusting or corrosion. Enclosure doors shall be made of tempered glass to ensure maximum safety and durability. Enclosure shall be Kohler Model K-_____-_____-_____.

MEMOIRS®

Technical Information

Fixture	Weight
K-702300	72 lbs. (32.7 kg)
K-702305	76 lbs. (34.5 kg)

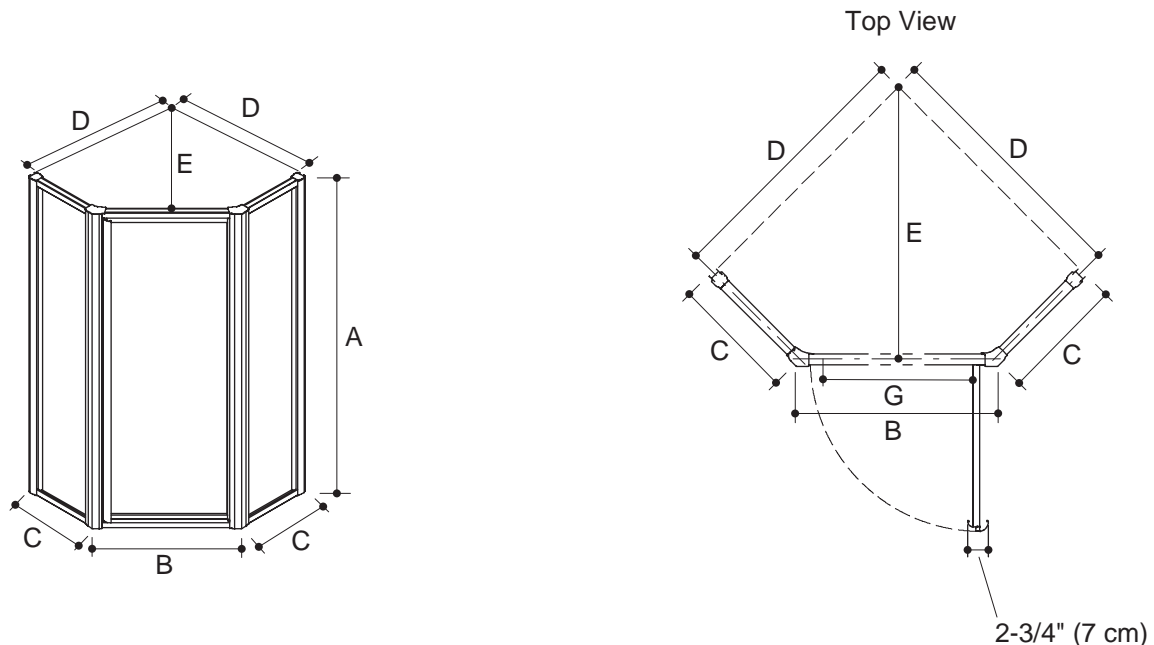
Installation Notes

Install this product according to the installation guide.

Door can be either right or left swing. Door shown is for left swing.

Roughing-In Notes	A	B	C (Min - Max)	D (Min - Max)	E (Min - Max)	G (Walk Through)
K-702300	72" (182.9 cm)	27-3/4" (70.5 cm)	14" (35.6 cm) - 14-3/4" (45.1 cm)	32-11/16" (83 cm) - 33-3/8" (84.8 cm)	32-11/16" (83 cm) - 33-3/4" (84.8 cm)	21-3/4" (55.2 cm)
K-702305	72" (182.9 cm)	27-3/4" (70.5 cm)	18-5/8" (47.3 cm) - 19-3/8" (49.2 cm)	37-11/16" (95.7 cm) - 38-7/16" (97.6 cm)	40-7/8" (103.8 cm) - 39-13/16" (101.1 cm)	21-3/4" (55.2 cm)

Note: Dimensions are taken on centerline of curb/threshold from finished wall.



Product Diagram