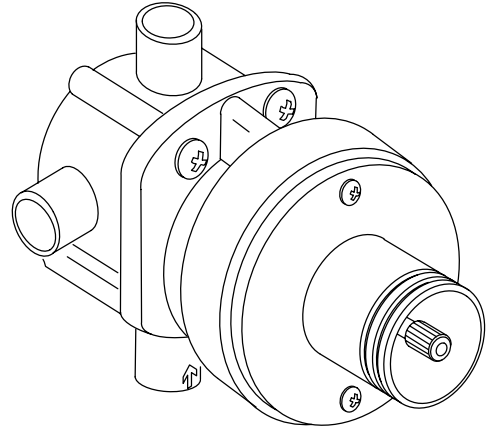


FEATURES

- Brass construction
- Wall-mount
- Brass valve body
- 1/2" N.P.T. inlet connection
- 1/2" N.P.T. outlet connections
- Permits three outlets to be interconnected
- Selection of one or any two of the three outlet combinations
- Accessory for Kohler bath and shower supply valves



CODES/STANDARDS APPLICABLE

Specified model meets or exceeds the following:

- ASME/ANSI A112.18.1M
- CSA International B125 (CSA listed)
- IAPMO/UPC

COLORS/FINISHES

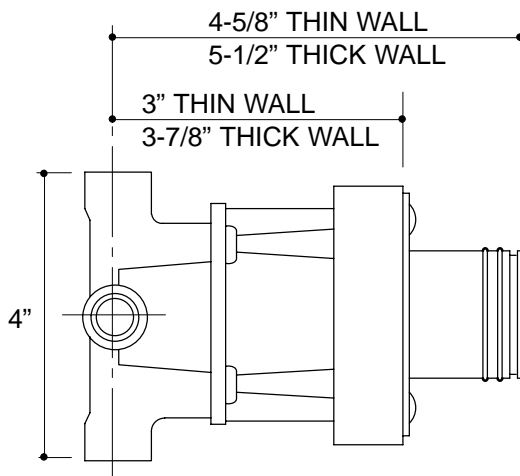
- NA Not applicable

SPECIFIED MODEL:

Model	Description	
K-407	MasterShower 3-Way Transfer Valve	<input type="checkbox"/> NA

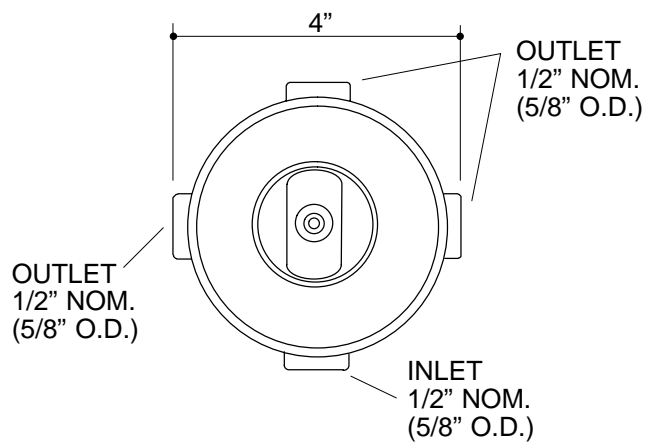
PRODUCT SPECIFICATION:

Wall-mount 3-way transfer valve shall be of brass construction. Product shall also feature one 1/2" N.P.T. inlet connection and three 1/2" N.P.T. outlet connections. Product is intended for installation with any Kohler bath and shower supply valve. Transfer valve shall be Kohler Model K-407-NA-_____.



Roughing-In Notes

When roughing-in with thin facing, leave plaster shield on to add stability. Do not remove the plaster shield from the valve until instructed to do so.



PRODUCT DIAGRAM