

TILE-IN KITCHEN SINK K-5921

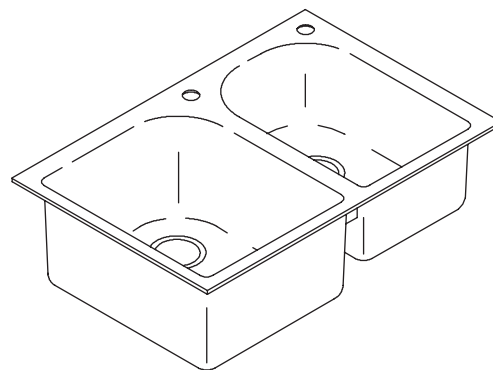
Features

- KOHLER cast iron
- Acid-resistant enamel finish
- Tile-in
- Double (large/medium) compartment
- 2-hole
- 33" (83.8 cm) x 22" (55.9 cm)

Codes/Standards Applicable

Specified model meets or exceeds the following:

- ASME A112.19.1M
- IAPMO/UPC
- CSA B45



Colors/Finishes

- 0: White
- Other: Refer to Price Book for additional colors/finishes

Accessories:

- CP: Polished Chrome
- NA: None applicable
- Other: Refer to Price Book for additional colors/finishes

Specified Model

Model	Description	Colors/Finishes	
K-5921	2-hole sink	<input type="checkbox"/> 0	<input type="checkbox"/> Other_____
Recommended Accessories			
K-9000	P-Trap	<input type="checkbox"/> CP	
Optional Accessories			
K-6001	Bottom basin rack (for left basin only)	<input type="checkbox"/> 0	<input type="checkbox"/> Other_____
K-6515	Cutting board	<input type="checkbox"/> NA	
K-6522	Wire rinse basket (for right basin only)	<input type="checkbox"/> 0	<input type="checkbox"/> Other_____
K-8801	Duostrainer® sink strainer	<input type="checkbox"/> CP	<input type="checkbox"/> Other_____

Product Specification

The kitchen sink shall be made of cast iron with acid-resistant enamel finish. Sink shall be tile-in with double (large/medium) compartments with 10" (25.4 cm) deep left basin and 8" (20.3 cm) deep right basin. Sink shall be 2-hole. Sink shall be 33" (83.8 cm) in length and 22" (55.9 cm) in width. Sink shall be Kohler Model K-5921-_____.

MARSALA™

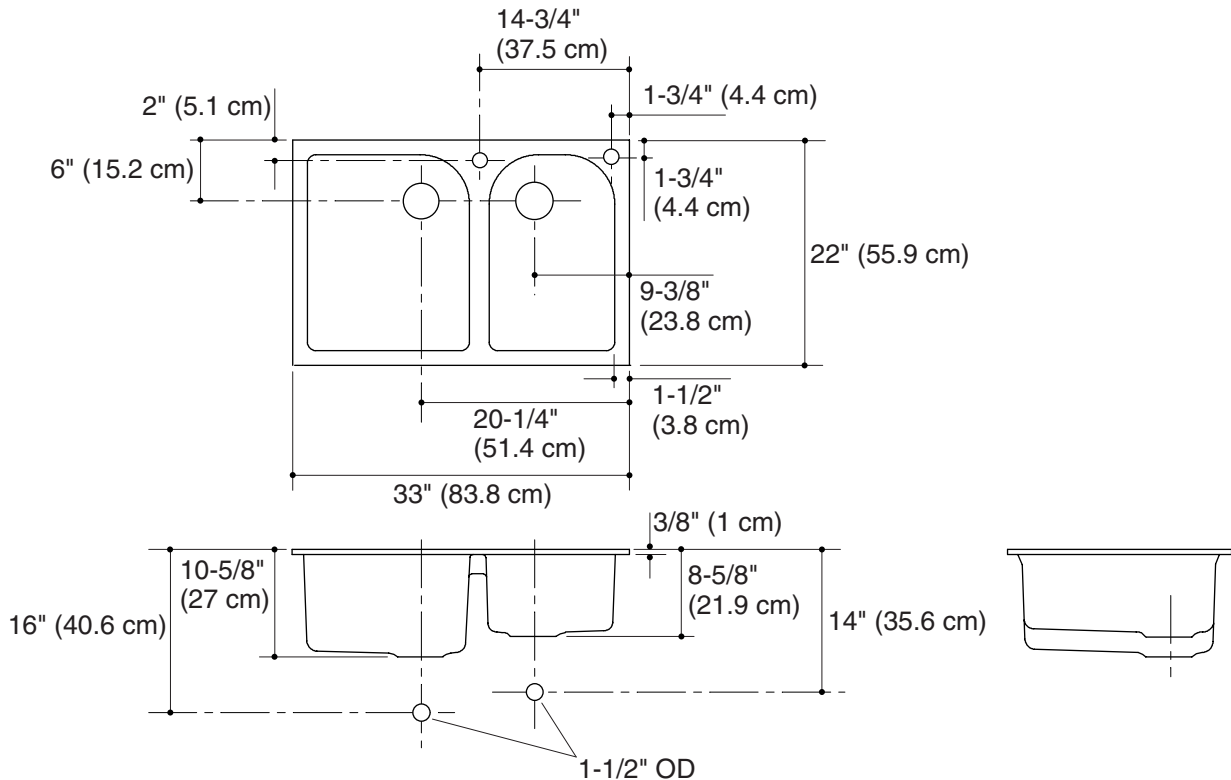
Technical Information

Fixture*:	
Basin area, medium	12" (30.5 cm) x 19" (48.3 cm)
Water depth, medium	7-3/4" (19.7 cm)
Basin area, large	16" (40.6 cm) x 19" (48.3 cm)
Water depth, large	9-3/4" (24.8 cm)
Drain holes	3-7/8" (9.8 cm) D.
Faucet holes	1-3/8" (3.5 cm) D.
* Approximate measurements for comparison only.	

Installation Notes

Install this product according to the installation guide.

Cutout is 31-7/8" (81 cm) by 20-3/4" (52.7 cm) with 1-1/2" (3.8 cm) radius corners.



Product Diagram