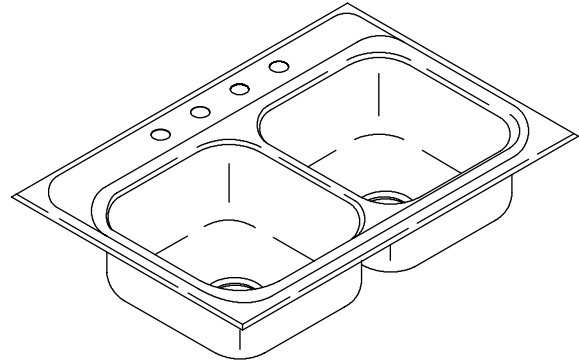


### Features

- 19 gauge stainless steel
- Self-rimming
- Double (equal) compartment
- J-hook channel mounting
- Includes installation hardware
- Additional highlighting on faucet deck (-H)
- 33" (83.8 cm) x 22" (55.9 cm)

### SELF-RIMMING KITCHEN SINK K-3199



### Codes/Standards Applicable

Specified model meets or exceeds the following:

- None applicable

### Colors/Finishes

- NA: None applicable

#### Accessories:

- CP: Polished Chrome
- NA: None applicable
- Other: Refer to Price Book for additional colors/finishes

### Specified Model

Model	Description	Colors/Finishes	
K-3199-4	4-hole sink	<input type="checkbox"/> NA	
K-3199-4H	4-hole sink with additional highlighting on faucet deck	<input type="checkbox"/> NA	
<b>Optional Accessories</b>			
K-3293	Hardwood cutting board	<input type="checkbox"/> NA	
K-8801	Duostrainer® sink strainer	<input type="checkbox"/> CP	<input type="checkbox"/> Other_____

### Product Specification

The self-rimming kitchen sink shall be 33" (83.8 cm) in length and 22" (55.9 cm) in width. Sink shall be made of 19 gauge stainless steel. Sink shall be a double (equal) compartment. Sink shall have J-hook channel mounting. Sink shall have additional highlighting on faucet deck (-H). Sink shall include installation hardware. Sink shall be Kohler Model K-3199-\_\_\_\_\_.

# MARCATO™

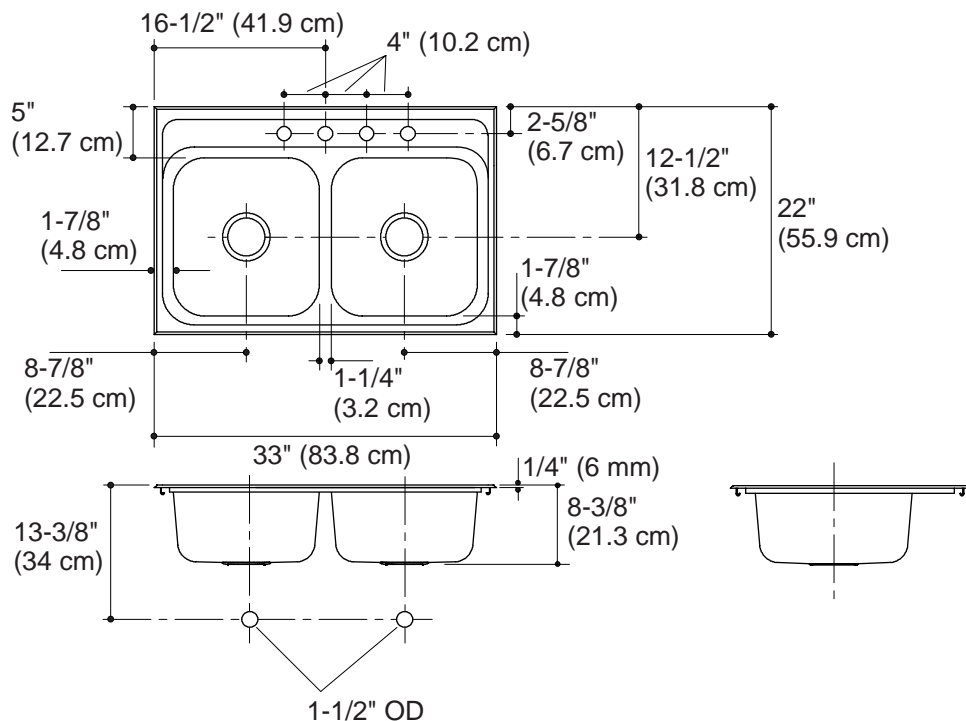
## Technical Information

Fixture*:	
Basin area	14" (35.6 cm) x 15-1/8" (38.4 cm)
Water depth	8" (20.3 cm)
Drain holes	3-5/8" (9.2 cm) D.
Faucet holes	1-3/8" (3.5 cm) D.
*Approximate measurements for comparison only.	
Included components:	
Fastener pack	1022739

## Installation Notes

Install this product according to the installation guide.

Cutout is 32-1/4" (81.9 cm) x 21-1/4" (54 cm) with 1/2" (1.3 cm) radius corners.



## Product Diagram