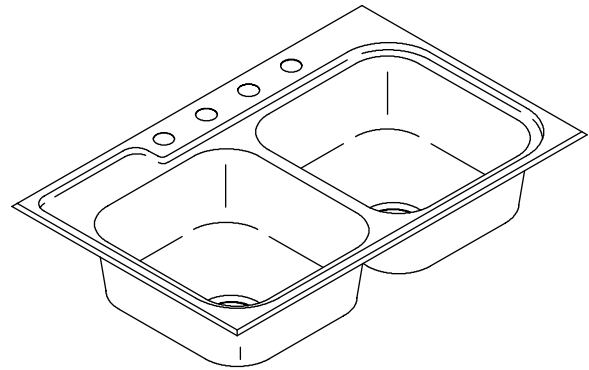


### Features

- 19 gauge stainless steel
- Self-rimming
- Double (equal) compartment
- SilentShield™ sound deadening
- Installation hardware included
- 4-hole (-4) or 3-hole (-3)
- 33" (83.8 cm) x 21-1/4" (54 cm)

### SELF-RIMMING KITCHEN SINK K-3310



### Codes/Standards Applicable

Specified model meets or exceeds the following:

- ASME A112.19.3
- IAPMO/UPC

### Colors/Finishes

- NA: None applicable

#### Accessories:

- CP: Polished Chrome
- NA: None applicable
- Other: Refer to Price Book for additional colors/finishes

### Specified Model

Model	Description	Colors/Finishes	
K-3310-4	4-hole sink	<input type="checkbox"/> NA	
K-3310-3	3-hole sink	<input type="checkbox"/> NA	
<b>Optional Accessories</b>			
K-3293	Hardwood cutting board (for either basin)	<input type="checkbox"/> NA	
K-8801	Duostrainer® sink strainer	<input type="checkbox"/> CP	<input type="checkbox"/> Other_____

### Product Specification

The self-rimming kitchen sink shall be 33" (83.8 cm) in length and 21-1/4" (54 cm) in width. Sink shall be made of 19 gauge stainless steel. Sink shall be double (equal) compartment. Sink shall include SilentShield Plus™ sound-deadening system. Sink shall include installation hardware. Sink shall be 4-hole (-4) or 3-hole (-3). Sink shall be Kohler Model K-3310-\_\_\_\_\_.

## Technical Information

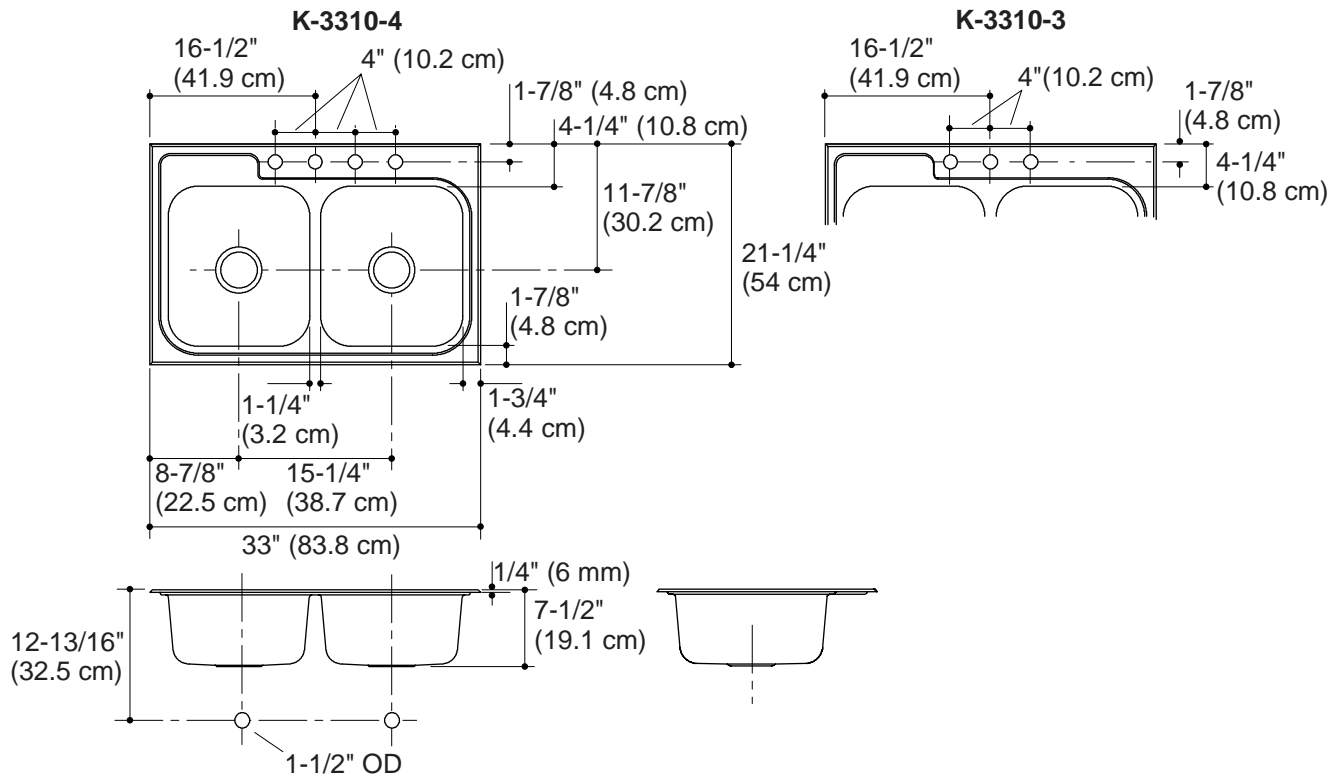
Fixture*:	
Basin areas	14" (35.6 cm) x 15" (38.1 cm)
Water depth	7" (17.8 cm)
Drain holes	3-5/8" (9.2 cm) D.
Faucet holes	1-7/16" (3.7 cm) D.
*Approximate measurements for comparison only.	

Included components:	
Fastener pack	1023180

## Installation Notes

Install this product according to the installation guide.

Cutout is 32-1/2" (82.6 cm) x 20-3/4" (52.7 cm) with 1/2" (1.3 cm) radius corners.



## Product Diagram