

**WALL-MOUNT FAUCET
K-T10087**

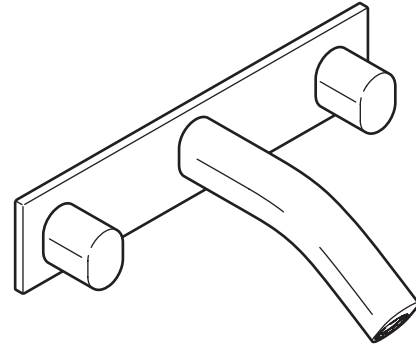
Features

- Dual control wall-mounted
- Brass construction
- Lower flow aerator options are available (refer to the Kohler Price Book)
- 2.2 gallons (8.3 L) per minute maximum flow rate
- Oval handles

Codes/Standards Applicable

Specified model meets or exceeds the following:


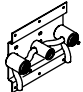
- ASME 112.18.1/CSA B125
- IAPMO/cUPC
- NSF 61
- Energy Policy Act of 1992



Colors/Finishes

- CP: Polished Chrome
- Other: Refer to Price Book for additional colors/finishes

Specified Model

Model	Description		
K-T10087-9	Wall-mount faucet	<input type="checkbox"/> CP	<input type="checkbox"/> Other ____
Required Accessories			
K-410-K	Wall-mount valve	<input type="checkbox"/> NA	

Optional Accessories on Page 2.

Product Specification

Dual-control wall-mount faucet shall be of brass construction. Faucet shall be rated at 2.2 gallons (8.3 lpm) per minute. Faucet shall have lower flow aerator options. Faucet shall include oval handles. Faucet shall be Kohler Model K-T_____-_____-_____- with K-410-K valve.

