

Features

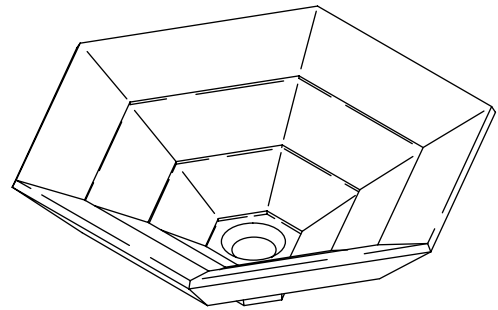
- Vitreous china
- Above-the-counter
- 19-5/8" (49.8 cm) x 17-1/8" (43.5 cm)

HEX STRATA LAVATORY K-2203

Codes/Standards Applicable

Specified model meets or exceeds the following:

- ASME A112.19.2
- IAPMO/UPC
- CSA B45



Colors/Finishes

- 0: White
- Other: Refer to Price Book for additional colors/finishes

Accessories:

- CP: Polished Chrome
- Other: Refer to Price Book for additional colors/finishes

Specified Model

| Model | Description | Colors/Finishes | |
|----------|---|----------------------------------|-------------------------------------|
| K-2203 | Hex strata lavatory | <input type="checkbox"/> 0 White | <input type="checkbox"/> Other_____ |
| K-2203-G | Hex strata lavatory with glazed underside | <input type="checkbox"/> 0 White | <input type="checkbox"/> Other_____ |

| Recommended Accessories | | | |
|-------------------------|---|-----------------------------|-------------------------------------|
| K-9018 | P-Trap | <input type="checkbox"/> CP | <input type="checkbox"/> Other_____ |
| K-7702 | Pop-up drain with undercounter-mount actuator OR | <input type="checkbox"/> CP | <input type="checkbox"/> Other_____ |
| K-7710 | Drain OR | <input type="checkbox"/> CP | |
| K-7715 | Grid drain | <input type="checkbox"/> CP | <input type="checkbox"/> Other_____ |

Product Specification

The hexagonal lavatory shall be 19-5/8" (49.8 cm) in length, and 17-1/8" (43.5 cm) in width. Lavatory shall be made of vitreous china. Lavatory shall be above-the-counter. Lavatory shall be Kohler Model K-2203-_____-_____.

VESSELS™

Technical Information

| | |
|--|-------------------------------|
| Fixture*: | |
| Basin area | 19" (48.3 cm) x 16" (40.6 cm) |
| Water depth | 4-1/4" (10.8 cm) |
| Drain hole | 1-3/4" (4.4 cm) D. |
| *Approximate measurements for comparison only. | |

| | |
|----------------------|-----------|
| Included components: | |
| Adjustable linkage | 84474 |
| Cut-out template | 1000254-7 |

Installation Notes

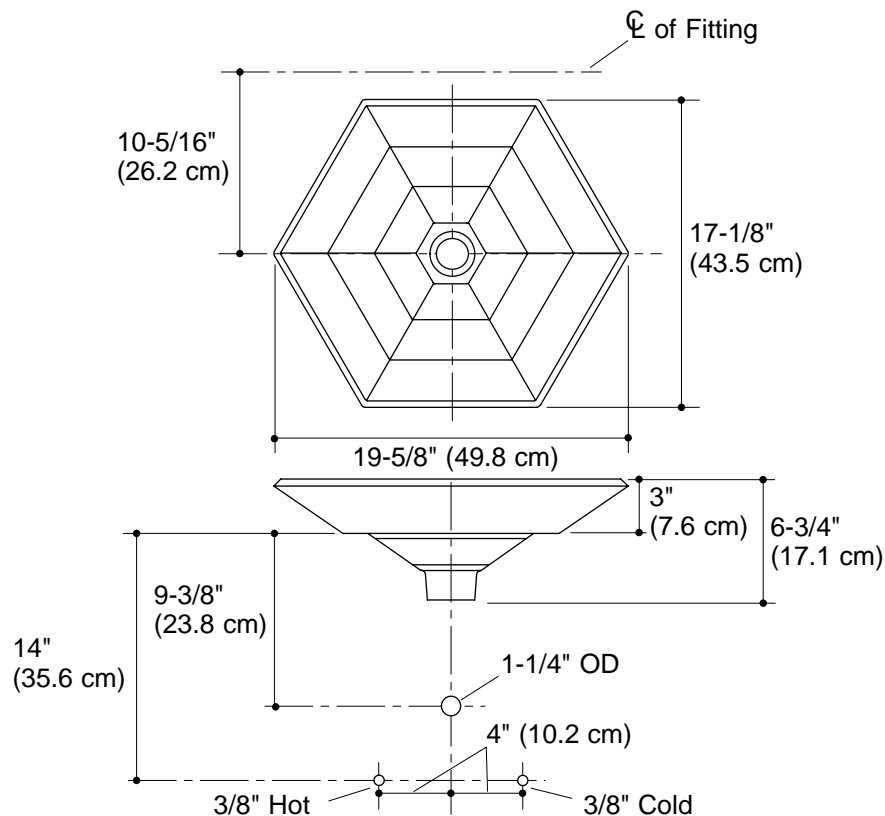
Install this product according to the installation guide.

Product does not have an overflow.

Spout must be a minimum of 5" (12.7 cm) long for adequate clearance into lavatory when installed with centerline as shown.

Spout must be tall enough to clear the 3" (7.6 cm) rim height and provide a 1" (2.5 cm) air gap per ASME A112.1.2.

NOTICE: Countertop manufacturer or cutter **must** use the cut-out template provided with the product, or a current one provided by Kohler Co. Call 1-800-4-KOHLER to order. Kohler Co. is not responsible for cutout errors when the incorrect cut-out template is used.



Product Diagram