

**HANDSHOWER  
K-10286**

ADA

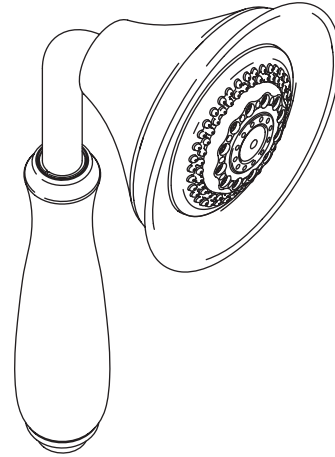
**Features**

- 2.5 gallons (9.5 L) per minute
- Complements Forte® faucet line
- Wide-coverage, therapeutic massage, soft aerated, and reduced flow spray options

**Codes/Standards Applicable**

Specified model meets or exceeds the following:

- ASME A112.18.1
- CSA B125
- IAPMO/UPC
- ADA



**Colors/Finishes**

- CP: Polished Chrome
- Other: Refer to Price Book for additional colors/finishes

**Accessories:**

**Specified Model**

Model	Description	Colors/Finishes	
K-10286	Handshower	<input type="checkbox"/> CP	<input type="checkbox"/> Other ____
<b>Required Accessory</b>		U	
K-9514	60" (152.4 cm) metal shower hose	<input type="checkbox"/> CP	

**Product Specification**

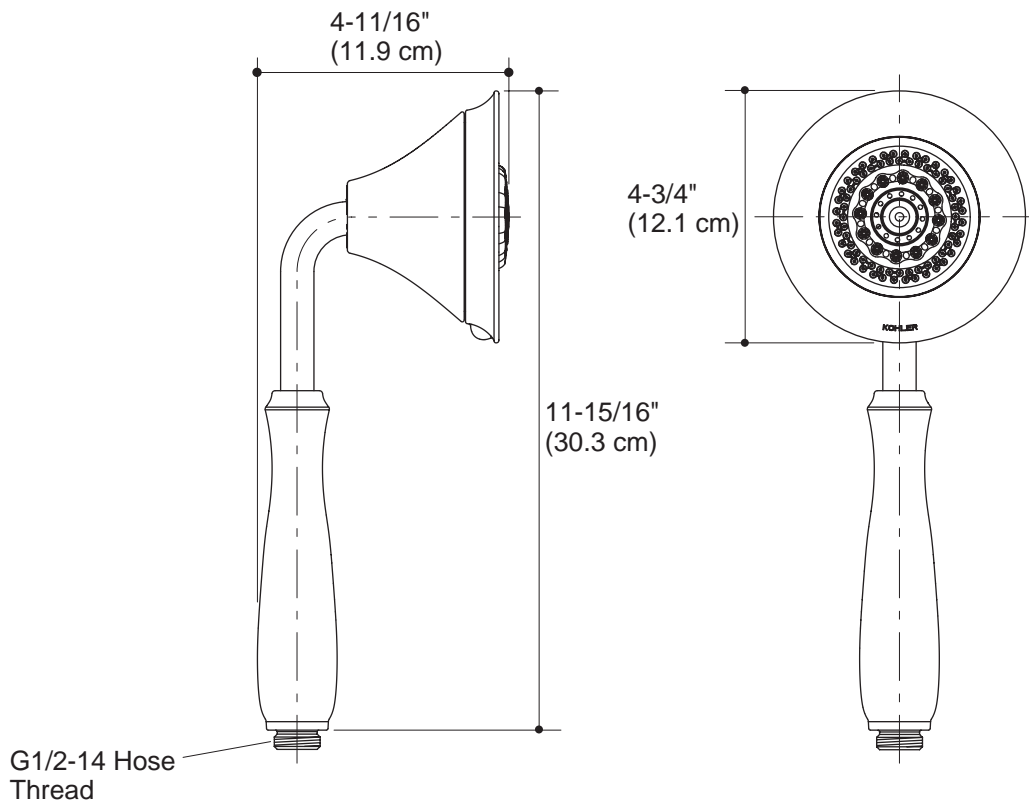
Handshower shall feature wide-coverage, therapeutic massage, soft aerated, and reduced flow spray options. Handshower shall complement the Forté® faucet line. Handshower shall have a 2.5 gallon (9.5 L) per minute flow rate. Product shall be Kohler Model K-10286-\_\_\_\_\_.

# FORTÉ®

## Installation Notes

Install this product according to the installation guide.

Plumbing codes require an atmospheric vacuum breaker (such as Kohler Model K-9660) be installed in-line with handshowers. Please consult with local plumbing officials.



Product Diagram