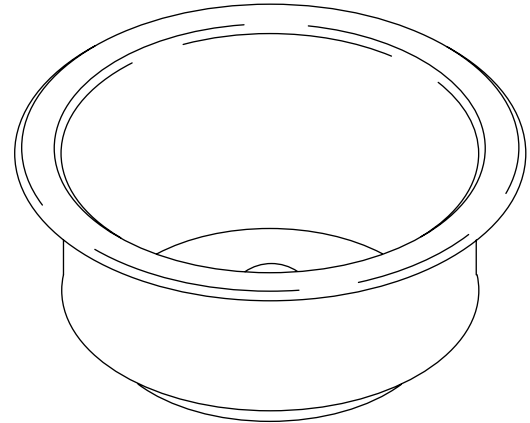


Features

- 18-3/8" (46.7 cm) diameter
- Satin finish with Hushcoat undercoat (-S)
- Self-rimming or undercounter
- Installation hardware included for each type of installation
- Without overflow
- Chrome plated brass tube and gasket included to cover the overflow hole in the drain assembly
- 20 gauge stainless steel



Codes/Standards Applicable

Specified model meets or exceeds the following:

- CSA B45
- IAPMO/UPC
- Listed in State of Massachusetts

Colors/Finishes

- NA: None applicable

Accessories:

- CP: Polished Chrome
- Other: Refer to Price Book for additional colors/finishes

Specified Model

Model	Description	Colors/Finishes	
K-2612	Round lavatory	<input type="checkbox"/> NA	
Optional Accessories			
K-8998	P-trap	<input type="checkbox"/> CP	<input type="checkbox"/> Other_____

Product Specification

The round lavatory shall be 18-3/4" (46.7 cm) in diameter. Lavatory shall be made of 20 gauge stainless steel in satin finish. Lavatory shall be either self-rimming or undercounter. Lavatory shall have Hushcoat undercoat. Lavatory shall include hardware for both types of installation. Lavatory shall have a chrome plated brass tube and drain gasket to cover the overflow hole in the faucet drain assembly. Lavatory shall be Kohler Model K-2612-_____.

FLAMENCO

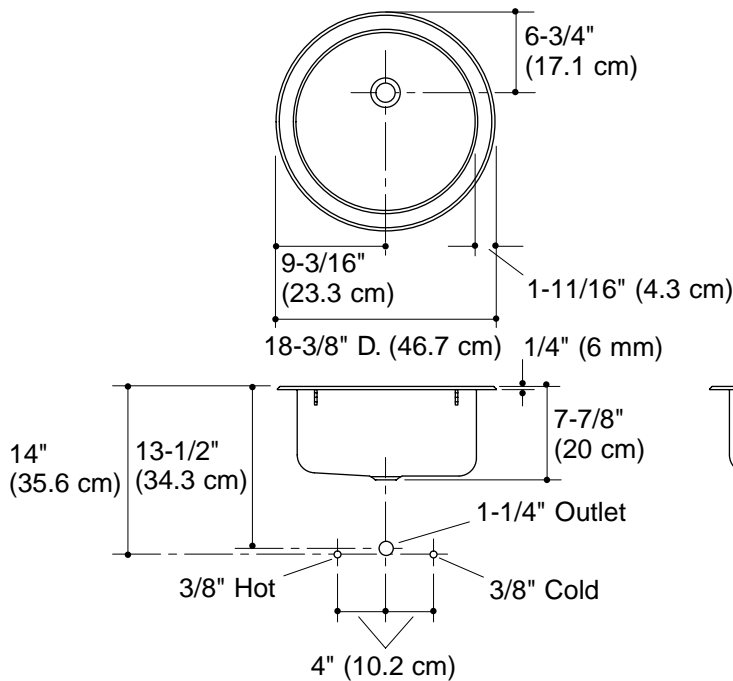
Technical Information

Fixture:*	basin area	water depth
Lavatory	15" (38.1 cm) D.	7-1/2" (19.1 cm)
Drain hole	1-5/8" (4.1 cm) D.	
* Approximate measurements for comparison only.		

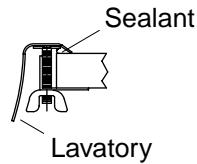
Included Components:	
Basin clamp assembly (undercounter)	68922
Basin clamp assembly (self-rimming)	7257
Drain gasket	33507
Tube	1011037-CP
Cut-out template	113392-7

Installation Notes

Install this product according to the installation guide.

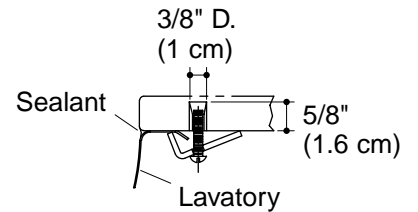


Kit #7257



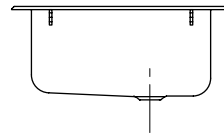
Self-Rimming Installation

Kit #68922



Solid Surface Installation

Note: Waterproof unprotected overhang area of the underside of wood counter.



Product Diagram