

**OFFSET DRAIN
K-13885**

ADA

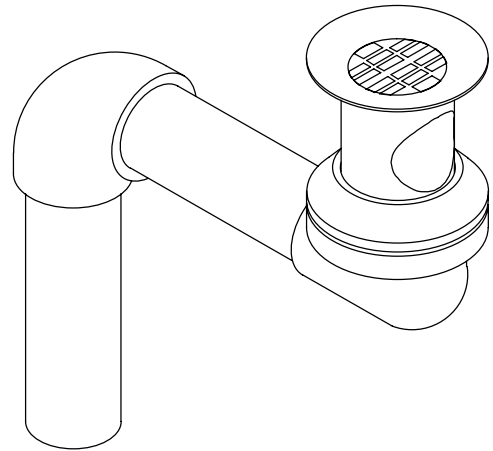
FEATURES

- Brass construction
- Intended for lavatory installations
- Grid drain
- 6" offset
- 1-1/4" connection

CODES/STANDARDS APPLICABLE

Specified model meets or exceeds the following:

- ASME/ANSI A112.18.1M
- IAPMO/UPC



COLORS/FINISHES

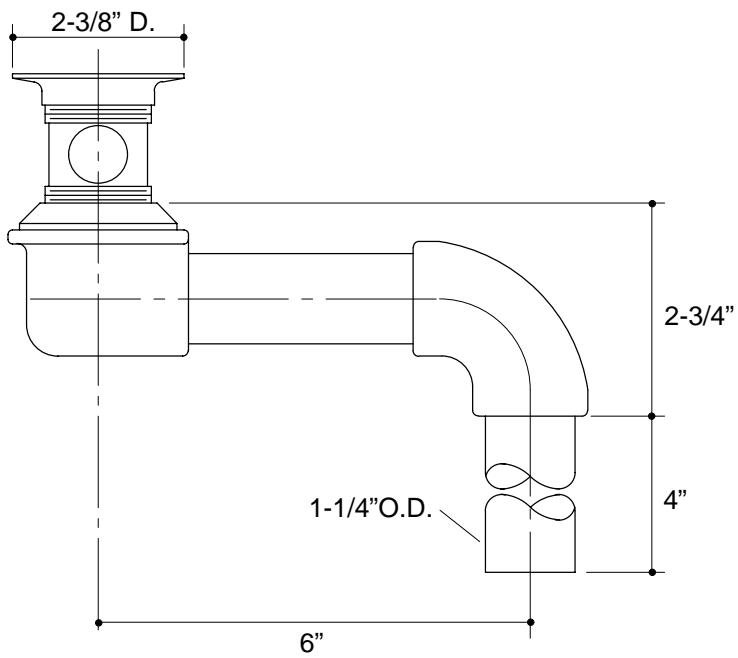
- CP Polished Chrome

SPECIFIED MODEL:

Model	Description	
K-13885	Offset Drain	<input type="checkbox"/> CP

PRODUCT SPECIFICATION:

Offset drain shall be of brass construction. Product is intended for lavatory installations. Product shall feature grid drain, 6" offset, and 1-1/4" connection. Faucet shall be Kohler Model K-13885-CP.



38

PRODUCT DIAGRAM