

FEATURES

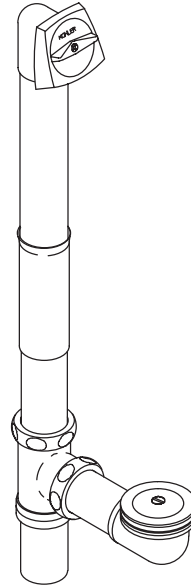
- 17 gauge brass construction
- Above- or through-the-floor installation options
- Adjustable trip lever pop-up drain
- Brass tailpiece

CODES/STANDARDS APPLICABLE

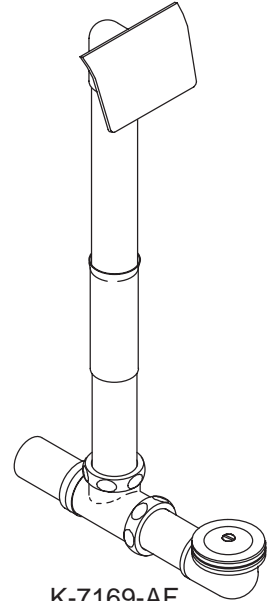
Specified model meets or exceeds the following:

- ASME/ANSI A112.18.1M
- CSA B125 (K-7167)
- IAPMO/UPC

DRAIN
K-7147-AF
ALSO K-7167, K-7169-AF



K-7167



K-7169-AF

K-7147-AF

COLORS/FINISHES

- CP Polished Chrome
- PB Polished Brass
- Other Refer to Faucets Price Book for additional finishes

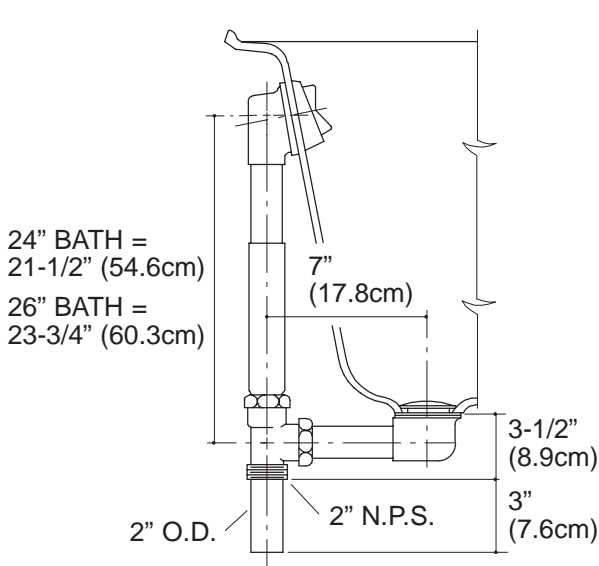
SPECIFIED MODEL:

Model	Description			
K-7147-AF	For Baths and Bath Whirlpools with 1-1/2" O.D. Drain Connection	<input type="checkbox"/> CP	<input type="checkbox"/> PB	<input type="checkbox"/> Other_____
K-7167	For Baths and Bath Whirlpools with 2" O.D. Drain Connection	<input type="checkbox"/> CP	<input type="checkbox"/> PB	<input type="checkbox"/> Other_____
K-7169-AF	For Baths and Bath Whirlpools with 1-1/2" O.D. Drain Connection	<input type="checkbox"/> CP	<input type="checkbox"/> PB	<input type="checkbox"/> Other_____

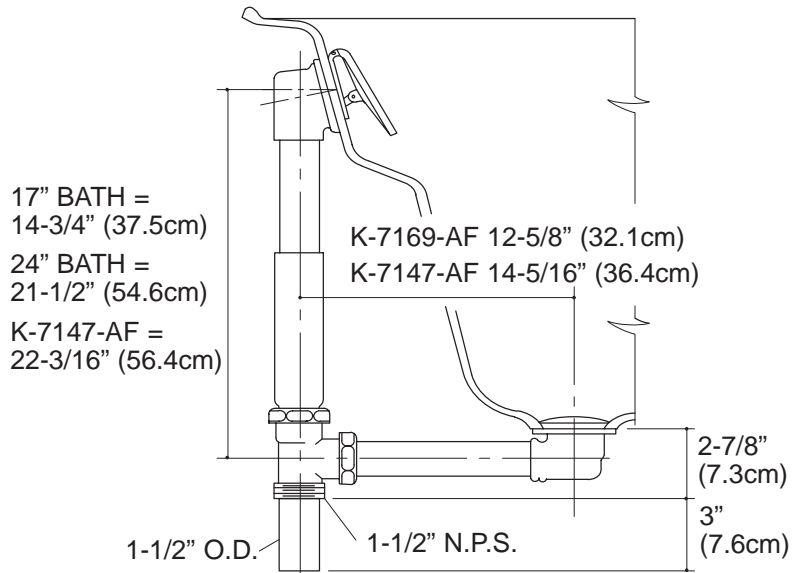
PRODUCT SPECIFICATION:

Bath drain shall be of brass construction. Drain shall include an adjustable trip lever drain with brass tailpiece. Drain shall feature above- or through-the-floor installation options. K-7167 is intended for bath and bath whirlpool installations with 2" O.D. drain connection. K-7169-AF and K-7147-AF are intended for bath and bath whirlpool installations with 1-1/2" O.D. drain connection. Drain shall be Kohler Model K-_____ - _____ - _____.

CLEARFLO



K-7167



**K-7147-AF
K-7169-AF**

PRODUCT DIAGRAM