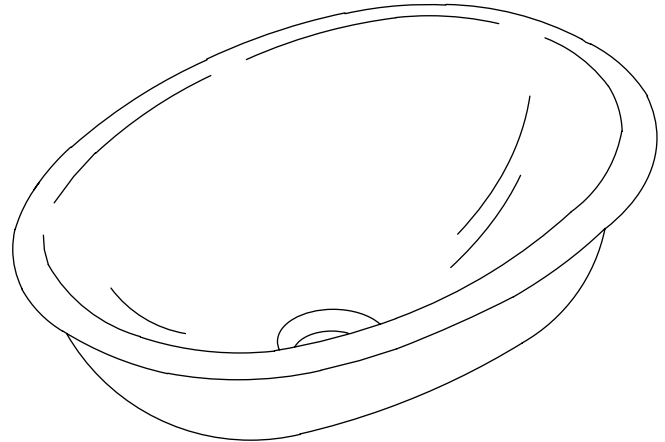


OVAL LAVATORY K-2611

Features

- 16-3/4" (42.5 cm) x 11-3/4" (29.8 cm)
- 20 gauge stainless steel
- Self-rimming or undercounter
- Mirror finish with Hushcoat undercoat (-M)
- Mirror finish without Hushcoat undercoat (-MU)
- Satin finish with Hushcoat undercoat (-S)
- Satin finish without Hushcoat undercoat (-SU)
- Installation hardware included for each type of installation
- Without overflow
- Chrome plated brass tube and gasket included to cover the overflow hole in the drain assembly



Codes/Standards Applicable

Specified model meets or exceeds the following:

- CSA B45

Colors/Finishes

- NA: None applicable

Accessories:

- CP: Polished Chrome
- Other: Refer to Price Book for additional colors/finishes

Specified Model

Model	Description	Colors/Finishes
K-2611-M	Mirror finish with Hushcoat undercoat lavatory	<input type="checkbox"/> NA
K-2611-MU	Mirror finish without Hushcoat undercoat lavatory	<input type="checkbox"/> NA
K-2611-S	Satin finish with Hushcoat undercoat lavatory	<input type="checkbox"/> NA
K-2611-SU	Satin finish without Hushcoat undercoat lavatory	<input type="checkbox"/> NA

Recommended Accessories			
K-8998	P-trap	<input type="checkbox"/> CP	<input type="checkbox"/> Other_____

Product Specification

The oval lavatory shall be 16-3/4" (42.5 cm) in length and 11-3/4" (29.8 cm) in width. Lavatory shall be made of 20 gauge stainless steel. Lavatory shall be either self-rimming or undercounter installation. Lavatory shall have a mirror finish with Hushcoat undercoat (-M), mirror finish without Hushcoat undercoat (-MU), satin finish with Hushcoat undercoat (-S), or satin finish without Hushcoat undercoat (-SU). Lavatory shall include hardware for both types of installation. Lavatory shall have a chrome plated brass tube and drain gasket to cover the overflow hole in the faucet drain assembly. Lavatory shall be Kohler Model K-2611-_____-_____.

BOLERO

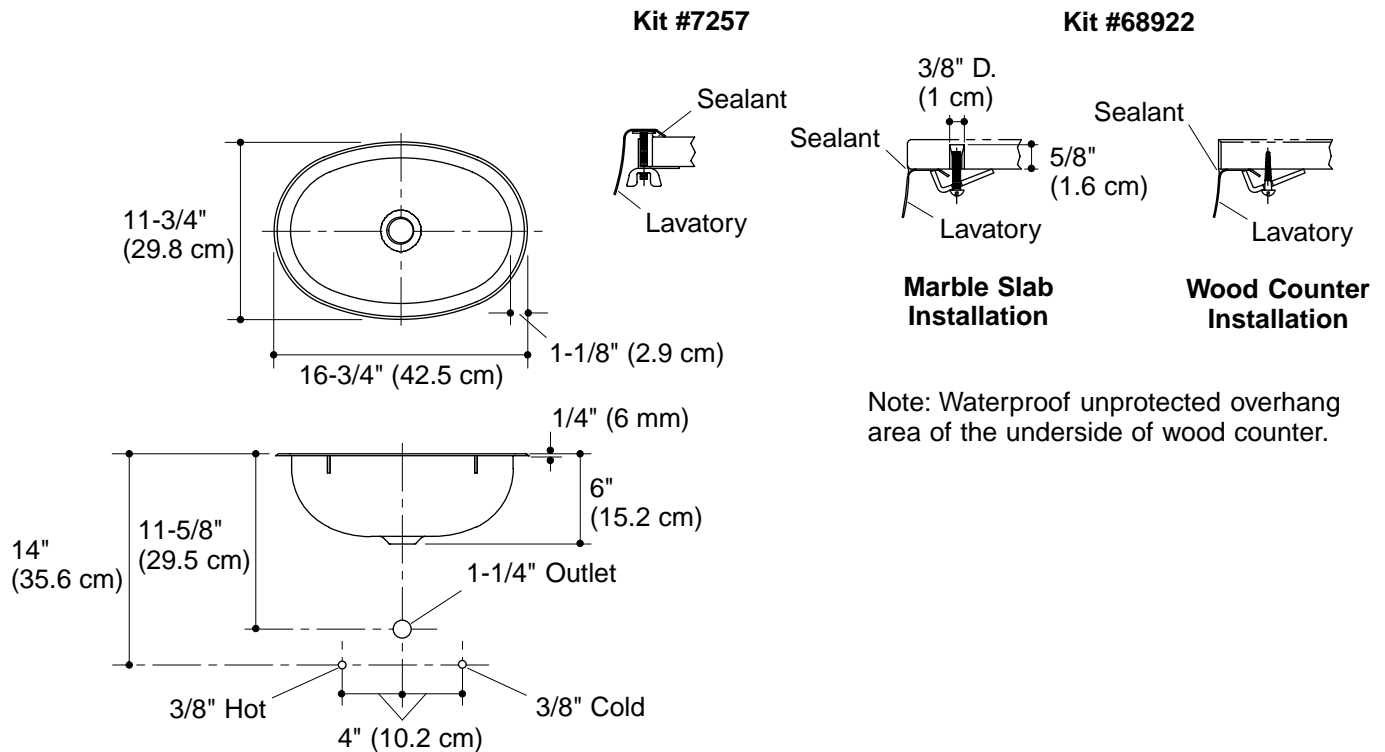
Technical Information

Fixture:*	basin area	water depth
Lavatory	15" x 10" (38.1 cm x 25.4 cm)	5-1/2" (14 cm)
Drain hole	1-5/8" (4.1 cm) D.	
* Approximate measurements for comparison only.		

Included Components:	
Basin clamp assembly (undercounter)	68922
Basin clamp assembly (self-rimming)	7257
Drain gasket	33507
Tube	1011037-CP
Cut-out template	111579-7

Installation Notes

Install this product according to the installation guide.



Product Diagram