

UNDERCOUNTER LAVATORY K-2319

ADA

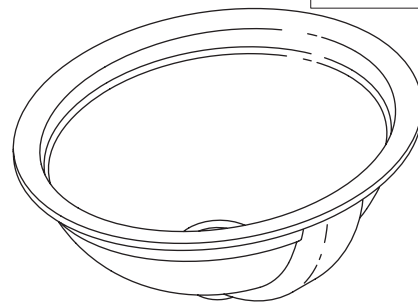
Features

- Vitreous china
- Undercounter
- With overflow
- Includes 52047 clamp assembly
- 17-1/4" (43.8 cm) x 14-1/16" (35.7 cm)

Codes/Standards Applicable

Specified model meets or exceeds the following:

- ADA
- ASME A112.19.2
- IAPMO/UPC
- ICC/ANSI A117.1
- CSA B45



Colors/Finishes

- 0: White
- Other: Refer to Price Book for additional colors/finishes

Accessories:

- CP: Polished Chrome
- Other: Refer to Price Book for additional colors/finishes

Specified Model

Model	Description	Colors/Finishes	
K-2319	Undercounter lavatory	<input type="checkbox"/> 0	<input type="checkbox"/> Other_____
Recommended Accessory			
K-8998	Adjustable P-trap	<input type="checkbox"/> CP	<input type="checkbox"/> Other_____

Product Specification

The undercounter vitreous china lavatory shall be 17-1/4" (43.8 cm) in length, and 14-1/16" (35.7 cm) in width. Lavatory shall be with overflow and less faucet hole drilling. Lavatory shall be Kohler Model K-2319-_____.

BANCROFT™

Technical Information

Fixture*:	
Basin area	17-1/4" (43.8 cm) x 14-1/16" (35.7 cm)
Water depth	5" (12.7 cm)
Drain hole	1-3/4" (4.4 cm) D.
* Approximate measurements for comparison only.	

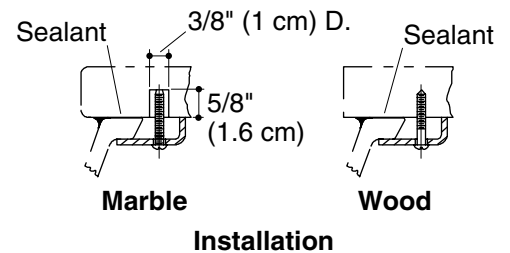
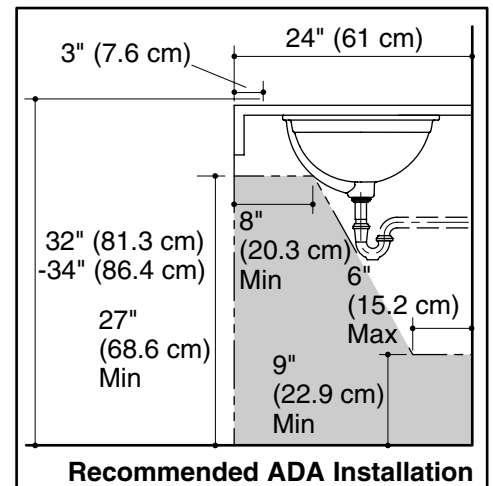
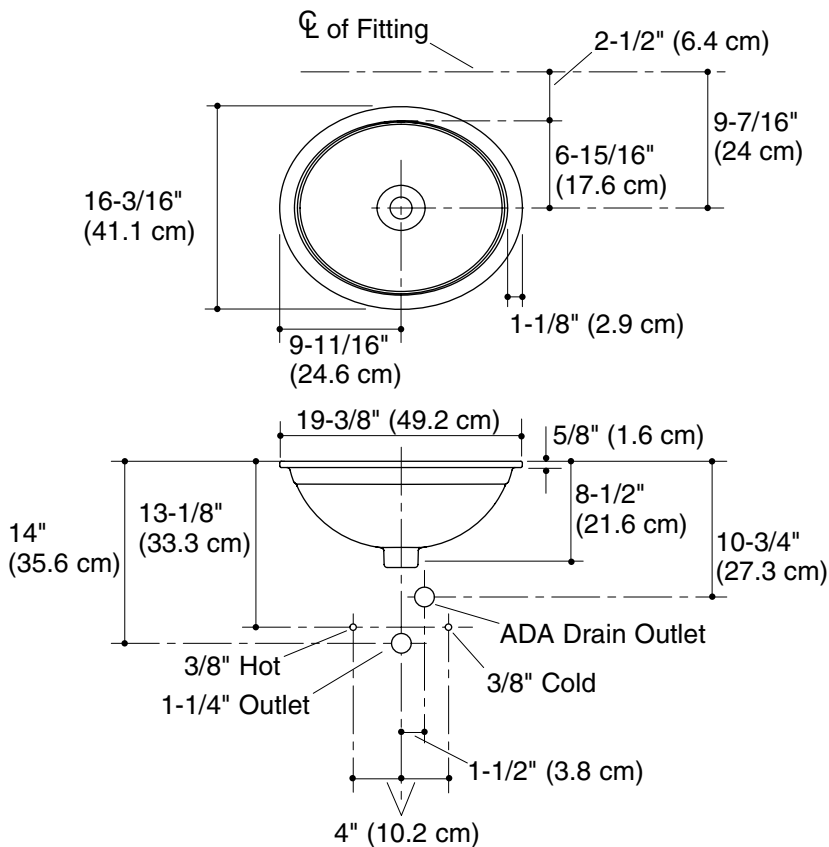
Included components:	
Basin clamp assembly	52047
Cut-out template	1002975-7

Installation Notes

Install this product according to the installation guide.

Supplied basin clamp assembly requires 1" (2.5 cm) minimum countertop thickness. Installer must supply anchors for thinner countertops.

NOTICE: Countertop manufacturer or cutter must use the cut-out template provided with the product, or a current one provided by Kohler (call 1-800-4-KOHLER). Kohler is not responsible for cutout errors when incorrect cut-out template is used.



Product Diagram