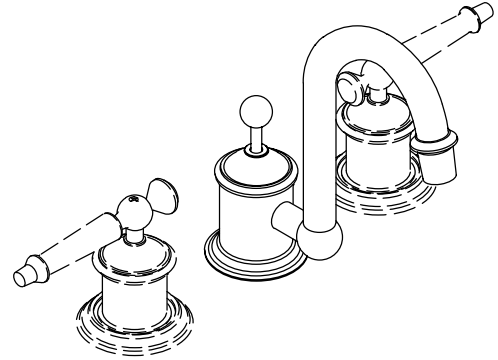


**LAVATORY FAUCET  
K-325**

**FEATURES**

- Brass construction
- Flexible connections
- Brass valve bodies
- Quarter-turn washerless ceramic disc valves
- 5-3/4" Curio spout
- 2.0 gallons per minute
- Pop-up drain with lift rod and tailpiece
- Available with Curio six-prong or lever handles



**CODES/STANDARDS APPLICABLE**



Specified model meets or exceeds the following:

- ASME/ANSI A112.18.1M
- Energy Policy Act of 1992
- IAPMO/UPC
- NSF 61

**COLORS/FINISHES**

- CP Polished Chrome
- PB Polished Brass

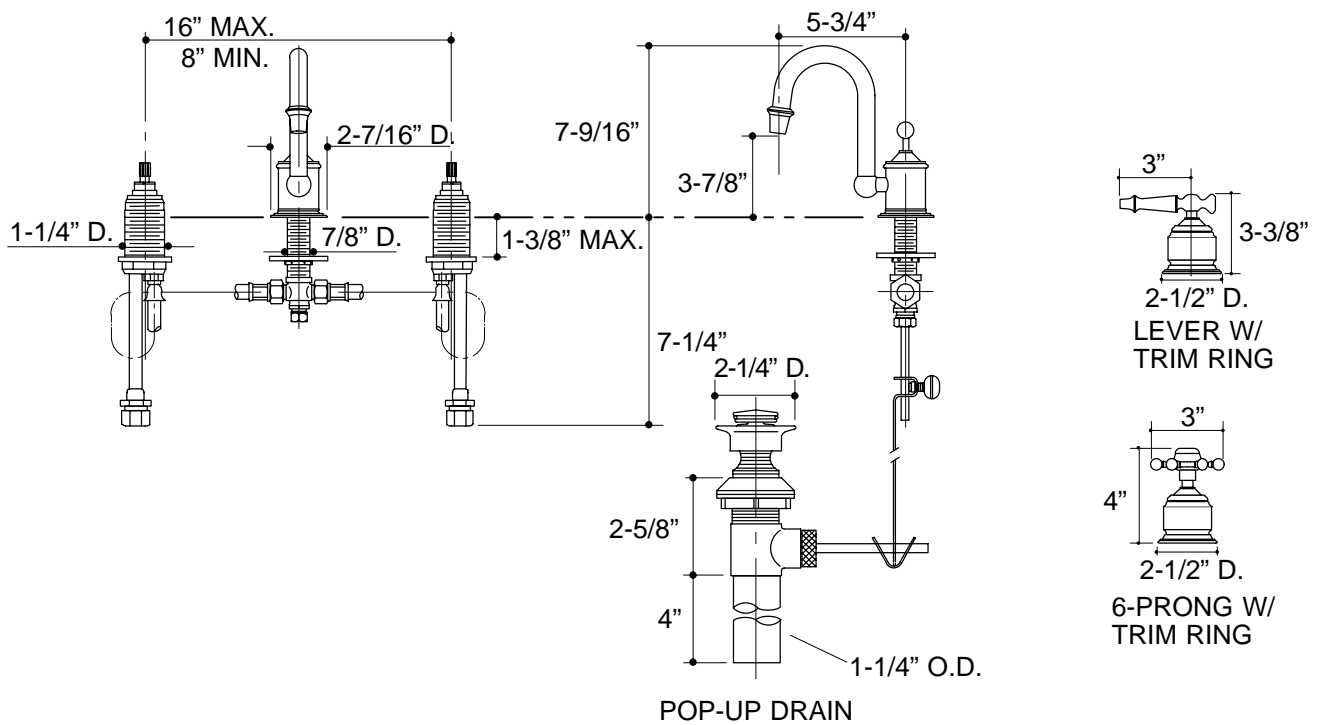
**SPECIFIED MODEL:**

Model	Description		 ADA
K-325-3D	With Curio Six-Prong Handles	<input type="checkbox"/> CP <input type="checkbox"/> PB	
K-325-4D	With Curio Lever Handles		<input type="checkbox"/> CP <input type="checkbox"/> PB
Required Accessory			
K-17200	Trim Rings-Pair, Metal	<input type="checkbox"/> CP	<input type="checkbox"/> PB
Optional Accessories			
K-9637	Small Lever Inserts, Pair	<input type="checkbox"/> CP	<input type="checkbox"/> PB
K-9657	Small Lever Inserts, Pair	<input type="checkbox"/> Other_____	

**PRODUCT SPECIFICATION:**

Two-handle widespread lavatory faucet shall be of brass construction. Faucet shall feature brass valve bodies. Faucet shall feature quarter-turn washerless ceramic disc valves, assuring positive handle stop positioning. Product shall include flexible connections, 5-3/4" Curio spout, pop-up drain with lift rod and tailpiece, and Curio six-prong or lever handles. Faucet shall be Kohler Model K-325-\_\_\_\_\_-\_\_\_\_\_- and trim rings shall be Kohler Model K-17200-\_\_\_\_\_.

# ANTIQUE CURIO™



18

## PRODUCT DIAGRAM