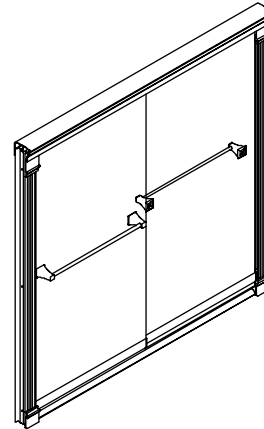


BYPASS SHOWER DOORS K-704122

Features

- Self-cleaning threshold
- 3/4" (2 cm) tall, rounded threshold for comfort and ease of entry
- 1/4" (6 mm) thick tempered glass
- Able to be installed with or without a receptor underneath
- Continuous door panel guide mechanism for smooth, quiet sliding action
- Solid brass towel bar
- Fluted wall jambs with capped plinth blocks



Codes/Standards Applicable

Specified model meets or exceeds the following:

- ANSI Z97.1 (tempered glass)

Colors/Finishes

- BH: Bright Brass
- SH: Bright Silver
- A1: Basilica Glass for Brass Frame
- A2: Basilica Glass for Silver Frame
- D1: Memoirs™
- L: Clear

Specified Model

Model	Application	Glass Options				Frame Finishes/Colors	
K-704122	Shower			<input type="checkbox"/> D1	<input type="checkbox"/> L	<input type="checkbox"/> BH	<input type="checkbox"/> SH
K-704124	Shower	<input type="checkbox"/> A1	<input type="checkbox"/> A2	<input type="checkbox"/> D1	<input type="checkbox"/> L	<input type="checkbox"/> BH	<input type="checkbox"/> SH
K-704126	Shower				<input type="checkbox"/> L	<input type="checkbox"/> BH	<input type="checkbox"/> SH
K-704128	Shower	<input type="checkbox"/> A1	<input type="checkbox"/> A2	<input type="checkbox"/> D1	<input type="checkbox"/> L	<input type="checkbox"/> BH	<input type="checkbox"/> SH
K-704130	Shower			<input type="checkbox"/> D1	<input type="checkbox"/> L	<input type="checkbox"/> BH	<input type="checkbox"/> SH
K-704132	Shower			<input type="checkbox"/> D1	<input type="checkbox"/> L	<input type="checkbox"/> BH	<input type="checkbox"/> SH
K-704134	Shower				<input type="checkbox"/> L	<input type="checkbox"/> BH	<input type="checkbox"/> SH
K-704136	Shower				<input type="checkbox"/> L	<input type="checkbox"/> BH	<input type="checkbox"/> SH

Product Specification

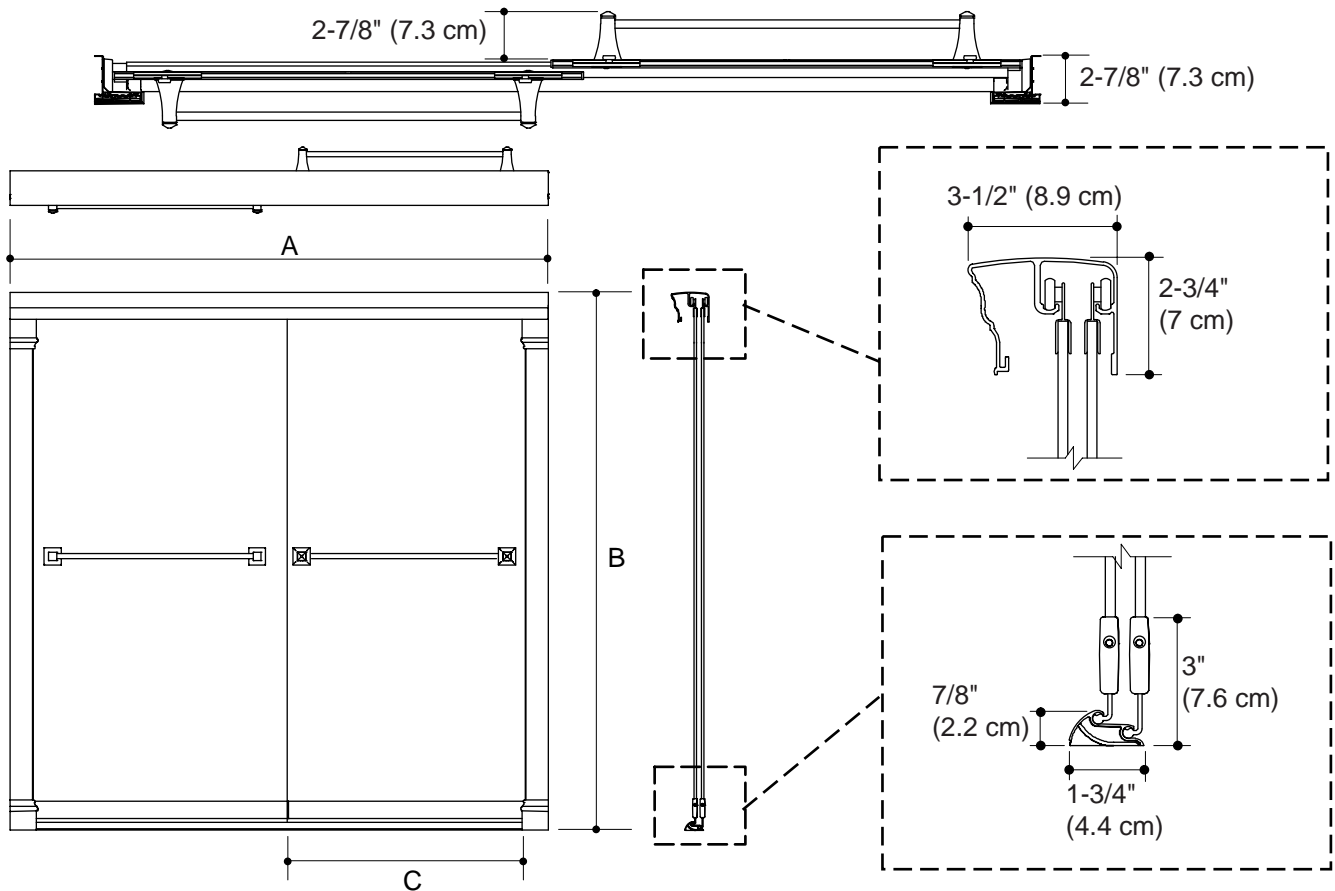
Bypass shower door shall have self-cleaning threshold. Bypass bath and shower door shall have 3/4" (2 cm) tall, rounded threshold for comfort and ease of entry. Bypass bath and shower door shall have frameless 1/4" (6 mm) thick tempered safety glass with protected bottom edge for added safety. Bypass bath and shower door shall be able to be installed with or without a receptor underneath. Bypass bath and shower door shall have a continuous door panel guide mechanism for smooth, quiet sliding action. Bypass bath and shower door shall have solid brass towel bar and towel bar support. Bypass bath and shower door shall have fluted wall jambs with capped plinth blocks. Shower door shall be Kohler Model K-_____-_____-_____.

PORTICO™

Installation Notes

IMPORTANT! The Portico shower door requires a minimum of 3-1/2" (8.9 cm) wide flat mounting surface (threshold width) in order to be properly installed. Installing these doors with less than this dimension may result in the front face of the header protruding past the edge of the enclosure.

Roughing-In Notes			
	A (Max)	B	C (Walk Through)
K-704122	43" (109.2 cm)	70" (177.8 cm)	18-3/8" (46.7 cm)
K-704124	47" (119.4 cm)	70" (177.8 cm)	20-3/8" (51.8 cm)
K-704126	56" (142.2 cm)	70" (177.8 cm)	24-7/8" (63.2 cm)
K-704128	59" (149.9 cm)	70" (177.8 cm)	26-3/8" (67 cm)
K-704130	47" (119.4 cm)	76-1/2" (194.3 cm)	20-3/8" (51.8 cm)
K-704132	59" (149.9 cm)	76-1/2" (194.3 cm)	26-3/8" (67 cm)
K-704134	40" (101.6 cm)	76" (193 cm)	16-7/8" (42.9 cm)
K-704136	52" (132.1 cm)	76" (193 cm)	22-7/8" (58.1 cm)



Product Diagram