



3050 Campus Drive, Suite 500 • Hatfield, PA 19440
Customer Service: 1.800.626.5771

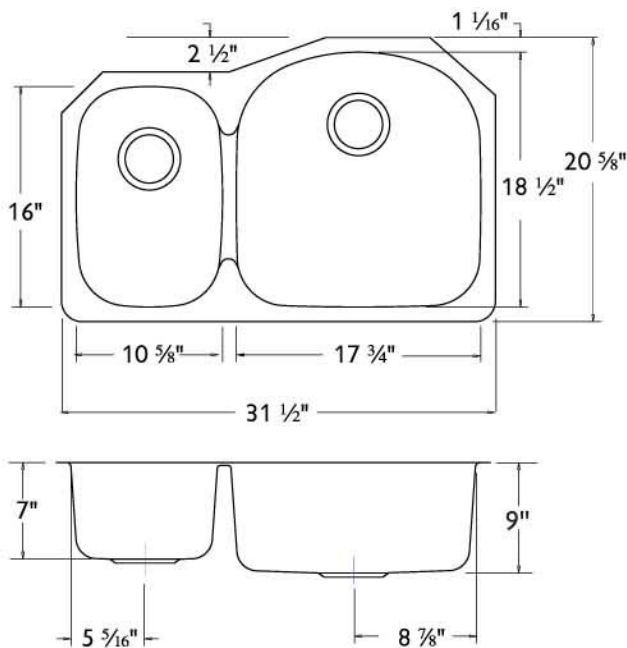
- 18-10 Stainless Steel
- Fully Undercoated
- Limited Lifetime Buyer Warranty



Fits 36" Cabinet.

Model #	Faucet Holes	Finish Deck/Bowl	Bowl Size ↕ × ↔	Sink Depth	Overall Dimension	Gauge	Cutout Dimension
UYL2132/90RK/E (Radius Edge)	NA	Radiant/Silk	L: 16" x 10 5/8" R: 18 1/2" x 17 3/4"	L: 7" R: 9"	20 5/8" x 31 1/2"	18	Refer To Template*
BUYL2132/90RK/E (Chamfer Edge)							

*DXF files are available for use with CNC equipment. Visit our website.



JOB NAME: _____

DATE: _____

CUSTOMER: _____

MODEL SPECIFIED: _____

QUANTITY: _____

ARCHITECT/ENGINEER: _____

CONTRACTOR: _____