



3050 Campus Drive, Suite 500 • Hatfield, PA 19440  
Customer Service: 1.800.626.5771

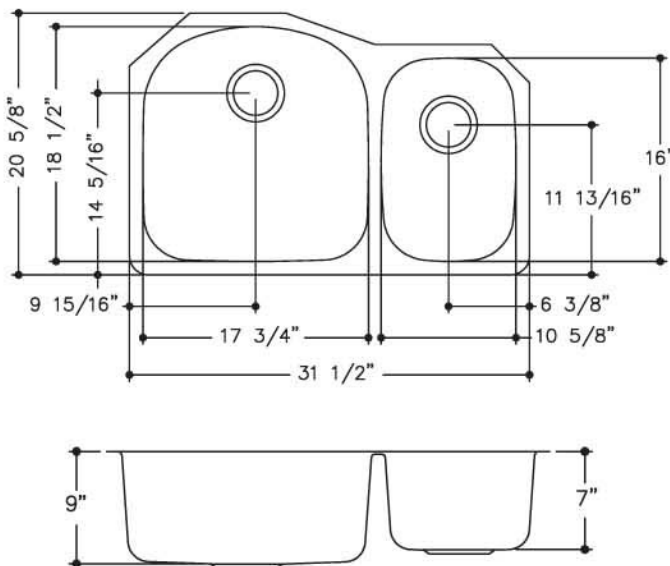
- 18-10 Stainless Steel
- Fully Undercoated
- Limited Lifetime Buyer Warranty



Fits 36" Cabinet

Model #	Faucet Holes	Finish Deck/Bowl	Bowl Size ↕ X ↔	Sink Depth	Overall Dimension	Gauge	Cutout Dimension
UY2132/90RK/E (Radius Edge)	NA	Radiant/Silk	L: 18 1/2" x 17 3/4" R: 16" x 10 5/8"	L: 9" R: 7"	20 5/8" x 31 1/2"	18	Refer To Template*
BUY2132/90RK/E (Chamfer Edge)							

\*DXF files are available for use with CNC equipment. Visit our website.



JOB NAME: \_\_\_\_\_

DATE: \_\_\_\_\_

CUSTOMER: \_\_\_\_\_

MODEL SPECIFIED: \_\_\_\_\_

QUANTITY: \_\_\_\_\_

ARCHITECT/ENGINEER: \_\_\_\_\_

CONTRACTOR: \_\_\_\_\_