



3050 Campus Drive, Suite 500 • Hatfield, PA 19440
Customer Service: 1.800.626.5771

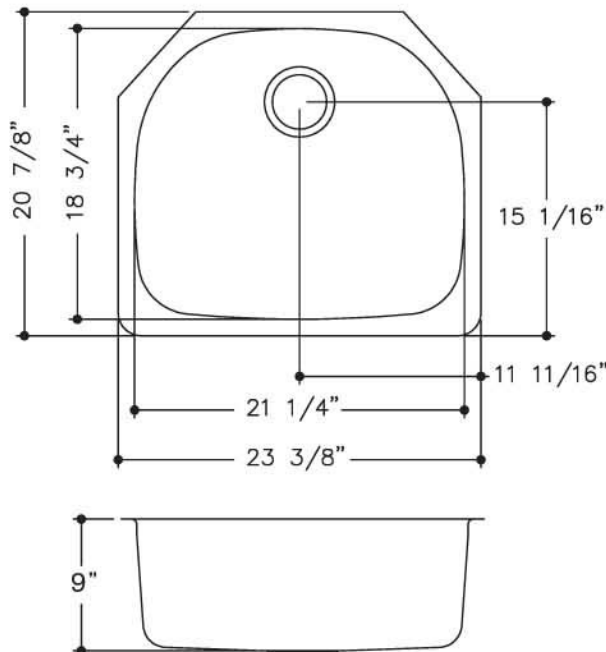
- 18-10 Stainless Steel
- Fully Undercoated
- Limited Lifetime Buyer Warranty



Fits 30" Cabinet

Model #	Faucet Holes	Finish Deck/Bowl	Bowl Size ↕ X ↔	Sink Depth	Overall Dimension	Gauge	Cutout Dimension
US2123/90RK/E (Radius Edge)	NA	Radiant/Silk	18 3/4" x 21 1/4"	9"	20 7/8" x 23 3/8"	18	Refer To Template*
BUS2123/90RK/E (Chamfer Edge)							

*DXF files are available for use with CNC equipment. Visit our website.



JOB NAME: _____

DATE: _____

CUSTOMER: _____

MODEL SPECIFIED: _____

QUANTITY: _____

ARCHITECT/ENGINEER: _____

CONTRACTOR: _____