

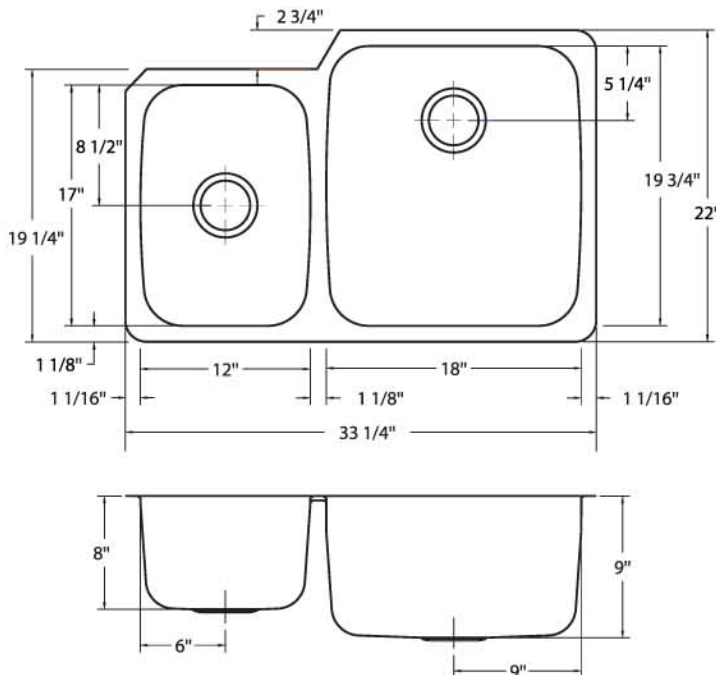
- 18-10 Stainless Steel
- Fully Undercoated
- Limited Lifetime Buyer Warranty



Fits 36" Cabinet. Special installation required. Consult with fabricator.

Model #	Faucet Holes	Finish Deck/Bowl	Bowl Size ↕ X ↔	Sink Depth	Overall Dimension	Gauge	Cutout Dimension
UCL2233/90RK/E	NA	Radiant/Silk	L: 17" x 12" R: 19 3/4" x 18"	L: 8" R: 9"	22" x 33 1/4"	18	Refer To Template*

*DXF files are available for use with CNC equipment. Visit our website.



JOB NAME: _____

DATE: _____

CUSTOMER: _____

MODEL SPECIFIED: _____

QUANTITY: _____

ARCHITECT/ENGINEER: _____

CONTRACTOR: _____