



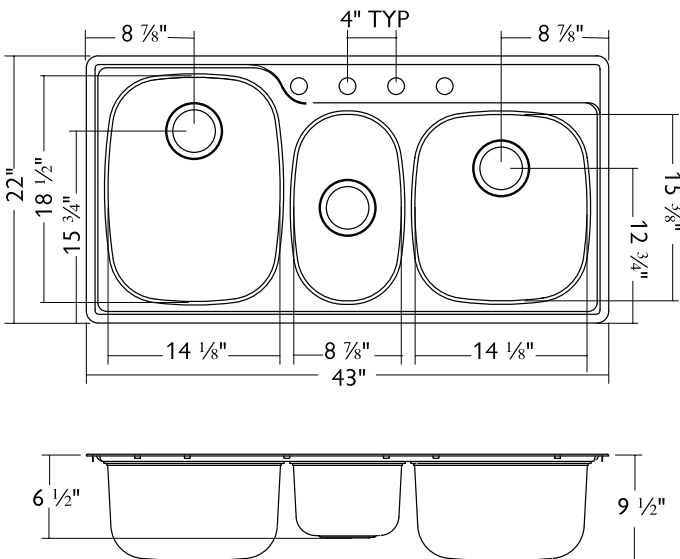
3050 Campus Drive, Suite 500 • Hatfield, PA 19440
Customer Service: 1.800.626.5771

- **18-8 Stainless Steel**
- **Sound Deadening Pads**
- **Integrated Installation Rails**
With pre-attached clips
- **Limited Lifetime Buyer Warranty**



Fits 45" Cabinet. Requires faucet with 10" spout.

Model #	Faucet Holes	Finish Deck/Bowl	Bowl Size ↕ X ↔	Sink Depth	Overall Dimension	Gauge	Cutout Dimension
T2243/95K/1	1	Silk	L: 18 1/2" x 14 1/8"	L: 9 1/2"	22" x 43"	20	21 1/4" x 42 1/4"
T2243/95K/3	3		C: 15 3/8" x 8 7/8"	C: 6 1/2"			
T2243/95K/4	4		R: 15 3/8" x 14 1/8"	R: 9 1/2"			
T2243/95K/1E	1	Silk				18	
T2243/95K/3E	3						
T2243/95K/4E	4						



JOB NAME: _____

DATE: _____

CUSTOMER: _____

MODEL SPECIFIED: _____

QUANTITY: _____

ARCHITECT/ENGINEER: _____

CONTRACTOR: _____