



3050 Campus Drive, Suite 500 • Hatfield, PA 19440
Customer Service: 1.800.626.5771

Reinforced Safe-T Rim

Our unique one-step manufacturing technique creates smooth, rolled edges to protect from cuts during handling and to strengthen the rim.

Integrated Installation Rails

Our manufacturing process creates and forms installation rails as the bowls are pressed, as opposed to the traditional welding method of attaching them separately.

No Welding

Our patented One-Piece Drawing eliminates the need for traditional welding. The result is a superior quality sink with no unsightly grind marks or center seam welds to buff or grind away.

Sound-Deadening Pads

Pads cover the bottom of the bowl to insulate from excess noise and vibration.

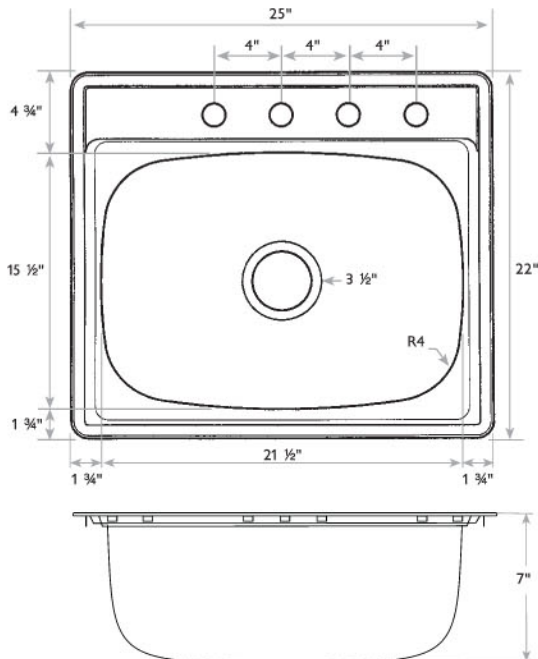
Easy Installation

Pre-Attached clips make installation simple.



Fits 30" Cabinet

Model #	Faucet Holes	Finish Deck/Bowl	Bowl Size ↕ X ↔	Sink Depth "D"	Overall Dimension	Gauge	Cutout Dimension
SS603BX	3	Satin	15 1/2" x 21 1/2"	6"	22" x 25"	22	21 1/4" x 24 1/4" 1" Radius
SS604BX	4						
SS653BX	3			6 1/2"		22	
SS654BX	4						
SS703BX	3			7"		21	
SS704BX	4						
SS803BX	3			8"		21	
SS804BX	4						



JOB NAME: _____

DATE: _____

CUSTOMER: _____

MODEL SPECIFIED: _____

QUANTITY: _____

ARCHITECT/ENGINEER: _____

CONTRACTOR: _____