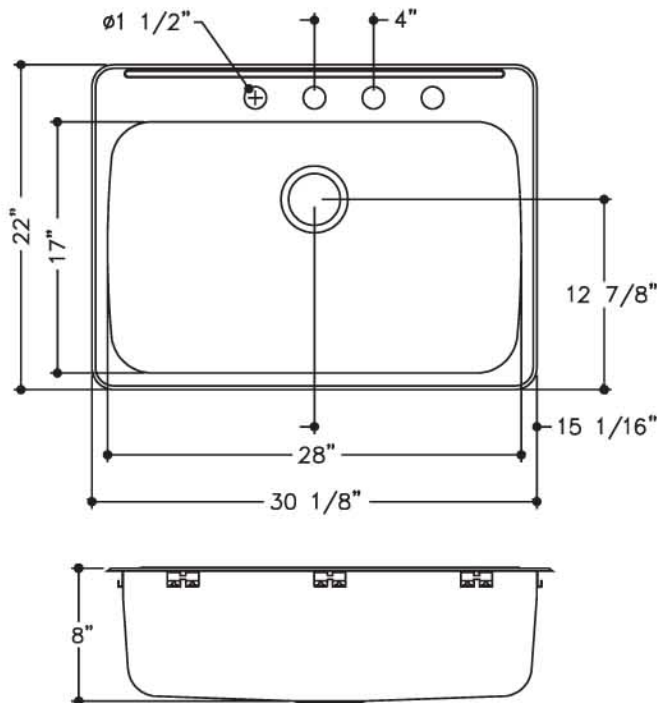


- 18-10 Stainless Steel
- Fully Undercoated
- Factory Applied Rim Seal
- Limited Lifetime Buyer Warranty



Fits 33" Cabinet

Model #	Faucet Holes	Finish Deck/Bowl	Bowl Size ↕ X ↔	Sink Depth	Overall Dimension	Gauge	Cutout Dimension
S2230/80ML/1E	1	Mirror/Lustre	17" x 28"	8"	22" x 30 1/8"	20	21" x 29 1/8" 2" Radius
S2230/80ML/3E	3						
S2230/80ML/4E	4						



JOB NAME: _____

DATE: _____

CUSTOMER: _____

MODEL SPECIFIED: _____

QUANTITY: _____

ARCHITECT/ENGINEER: _____

CONTRACTOR: _____