

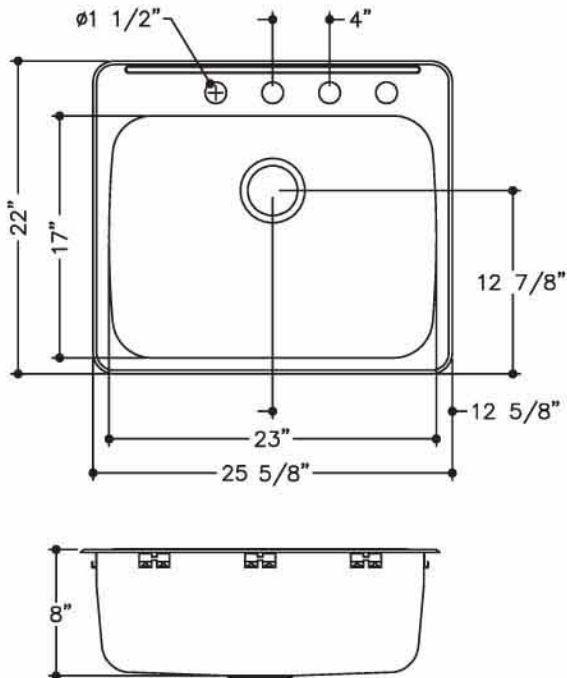
- 18-10 Stainless Steel
- Fully Undercoated
- Factory Applied Rim Seal
- Limited Lifetime Buyer Warranty



Fits 27" Cabinet

IAPMO approved

Model #	Faucet Holes	Finish Deck/Bowl	Bowl Size ↑ × ←	Sink Depth	Overall Dimension	Gauge	Cutout Dimension
S2225/80ML/1	1	Mirror/Lustre	17" x 23"	8"	22" x 25 5/8"	20	21" x 24 1/4" 2" Radius
S2225/80ML/3	3						
S2225/80ML/4	4						



JOB NAME: _____

DATE: _____

CUSTOMER: _____

MODEL SPECIFIED: _____

QUANTITY: _____

ARCHITECT/ENGINEER: _____

CONTRACTOR: _____